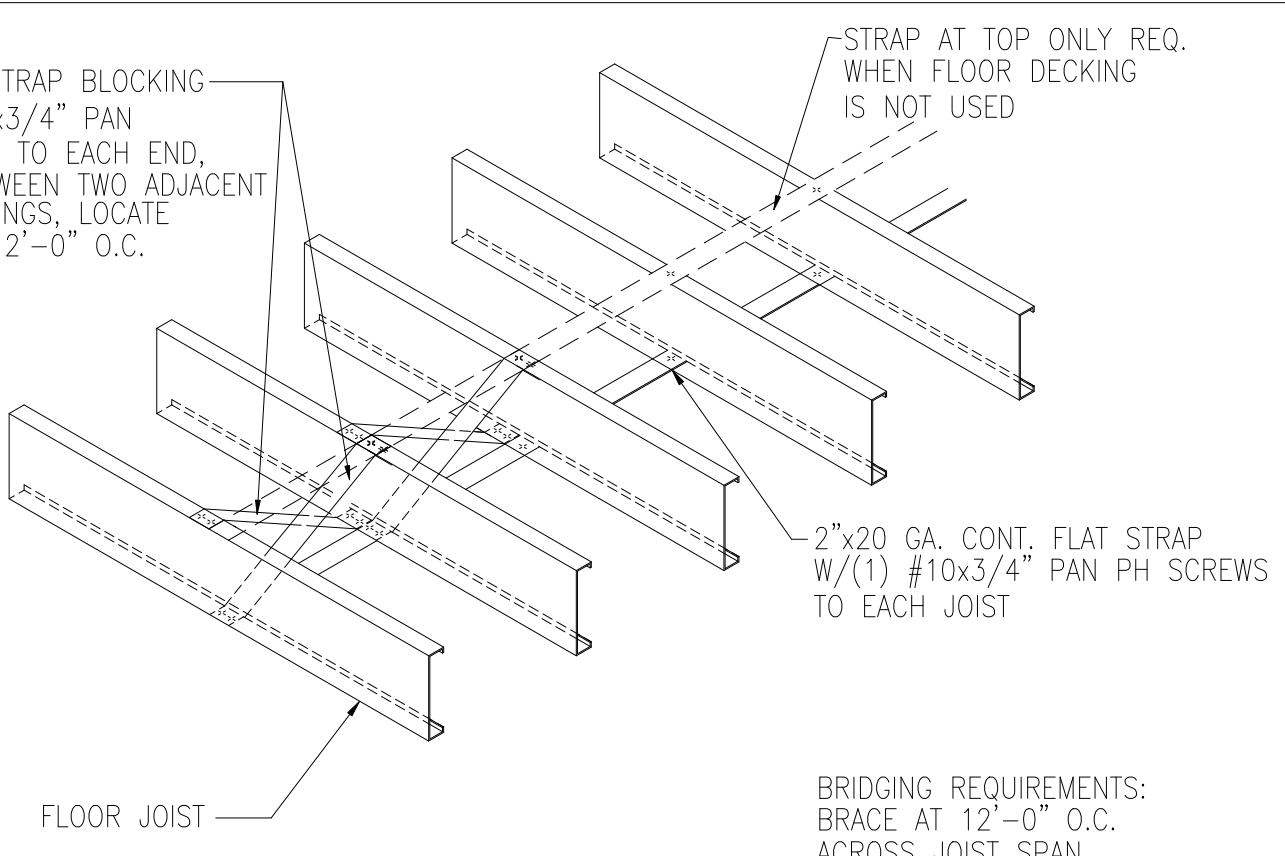


2"x20 GA STRAP BLOCKING
 W/(2) #10x3/4" PAN
 PH SCREWS TO EACH END,
 BLOCK BETWEEN TWO ADJACENT
 JOIST SPACINGS, LOCATE
 BLOCKING 12'-0" O.C.

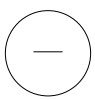


STRAP AT TOP ONLY REQ.
 WHEN FLOOR DECKING
 IS NOT USED

2"x20 GA. CONT. FLAT STRAP
 W/(1) #10x3/4" PAN PH SCREWS
 TO EACH JOIST

FLOOR JOIST

BRIDGING REQUIREMENTS:
 BRACE AT 12'-0" O.C.
 ACROSS JOIST SPAN



JOIST BRACING
 N.T.S. 02-28-03

NUCONSTEEL™
 COMMERCIAL CORP.

PHONE: 940.891.3050
 FAX: 940.891.3073
 525 SOUTH LOCUST
 DENTON, TX 76201

2003 ALL RIGHTS RESERVED

This detail & or details represent proprietary material and are the property of NUCONSTEEL™ Commercial Corp.
 Reproduction, copying or utilization of this material in whole or in part is prohibited without prior written authorization
 from NUCONSTEEL™ Commercial Corp. a NUCOR company.

REVISIONS

REVISED BY	DESCRIPTION OF CHANGE	DATE
1 DLC	UPDATED BRIDGING TO STRAPPING FROM TRACK	02-28-03

DETAIL #	FLF0007
FILE:	<i>Designer Share/Structural Details/FLF/FLF0007.DWG</i>

DRAWN BY: ORIG	CHK'D BY: SRC	DETAIL NAME:	REVISION
DATE: EXISTING	DATE: 02-28-03	JOIST BRACING	1