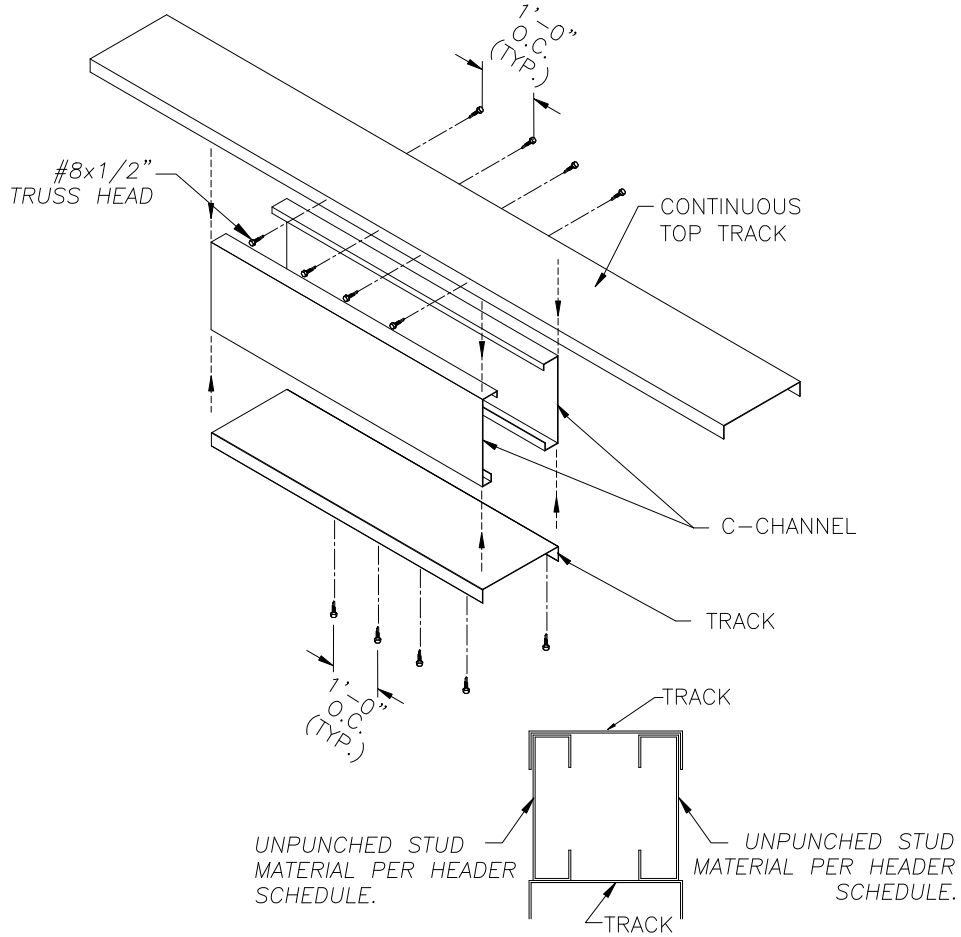


USE UN-PUNCHED MATERIAL FOR HEADERS



BOX HEADER ASSEMBLY

N.T.S.

08-26-03

NUCONSTEEL™
COMMERCIAL CORP.

PHONE: 940.891.3050
FAX: 940.891.3073
525 SOUTH LOGSBY
DENTON, TX 76201

2002 ALL RIGHTS RESERVED

This detail & or details represent proprietary material and are the property of NUCONSTEEL™ Commercial Corp. Reproduction, copying or utilization of this material in whole or in part is prohibited without prior written authorization from NUCONSTEEL™ Commercial Corp., a NUCOR company.

REVISIONS

REVISED BY	DESCRIPTION OF CHANGE	DATE
1 GLG	REVISED PER ENGINEERING	08-26-03

DETAIL #	WAF0018
FILE:	Designer Share\Structural Details\WAF\WAF0018.dwg

DRAWN BY: ORIG	CHK'D BY: RWL	DETAIL NAME:	REVISION
DATE: -	DATE: 09-20-02	HEADER ASSEMBLY	1