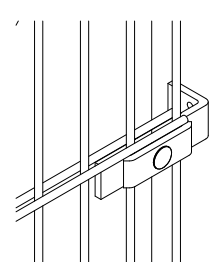
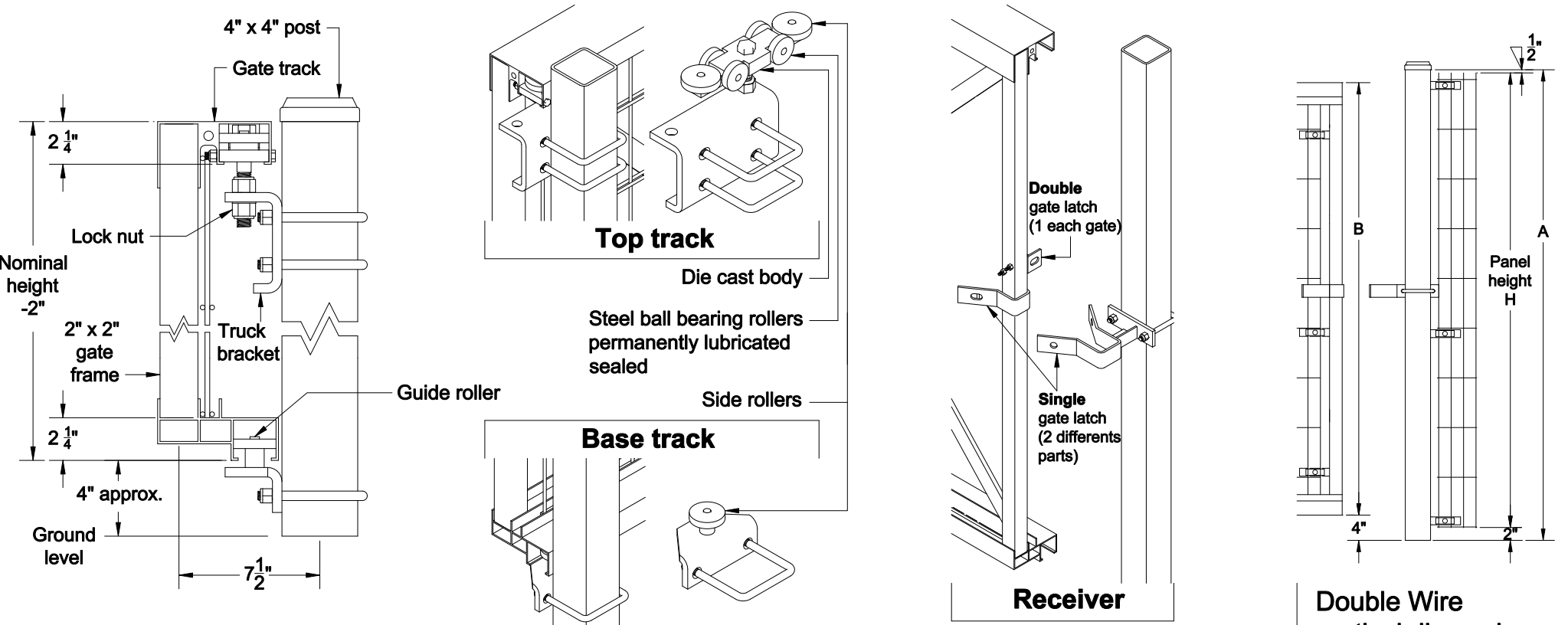


Tube Braced Cantilever slide gate System and Dimensions with Double Wire panel



SPF-W : Panel attachment

Cantilever vertical dimensions with Double Wire panel			
Panel Height	A	Nominal Height	B
4'- $\frac{1}{2}$ "	4'-3"	4'	3' 10"
6'-0"	6'-2 $\frac{1}{2}$ "	6'	5' 10"
7'-11 $\frac{3}{4}$ "	8'-2 $\frac{1}{4}$ "	8'	7' 10"
Custom	H + 2 $\frac{1}{2}$ "		Nominal Height - 2"

Note:

Each gate utilizes two swivel type truck assemblies as upper guides. Each truck assembly is mounted to a post with the supplied bracket, and each bracket for an upper guide uses two 5/8" U-bolts. Each gate also utilizes two lower guides which are permanently mounted to the bracket which attaches to the posts with one 5/8" U-bolt.