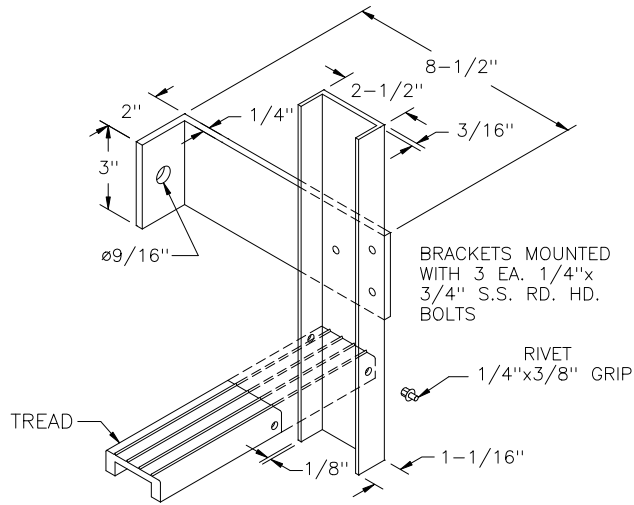


WALL LADDER DETAILS

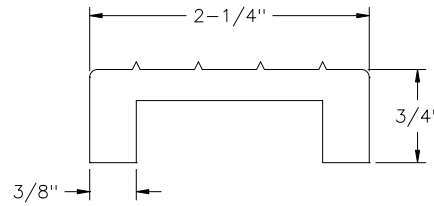
(APPLICABLE IF MARKED)

SIDERAIL DETAIL

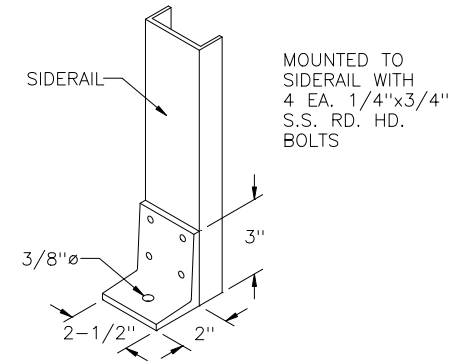


TREAD DETAIL

1000# LOAD RATING

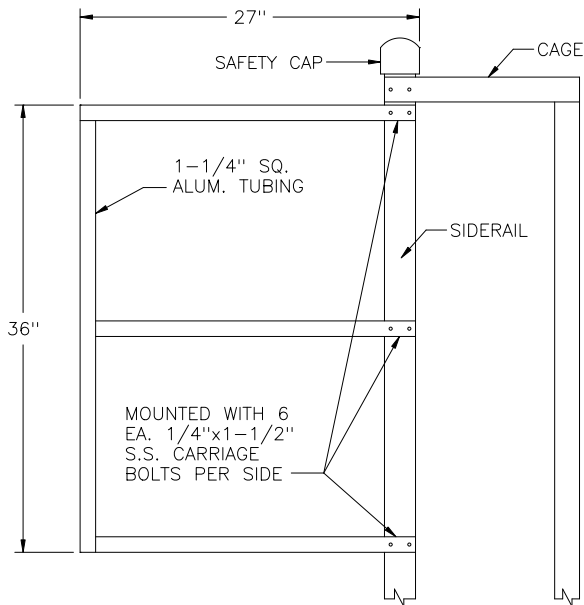


FLOOR BRACKET



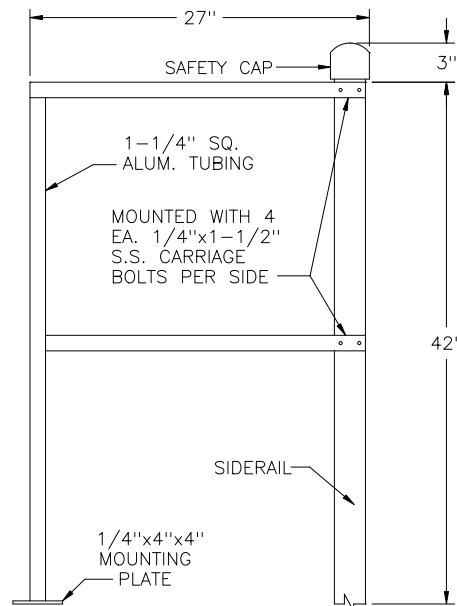
HANDRAILS

(FIXED VERTICAL LADDER w/CAGE)



HANDRAILS

(FIXED VERTICAL LADDER w/WALK-THRU)



CAGE ATTACHMENT

