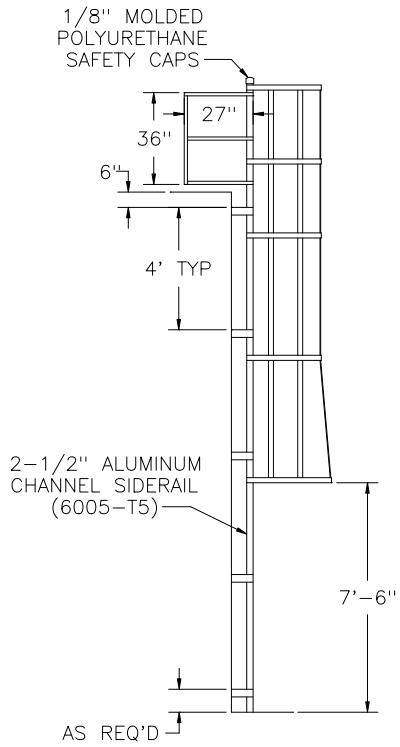
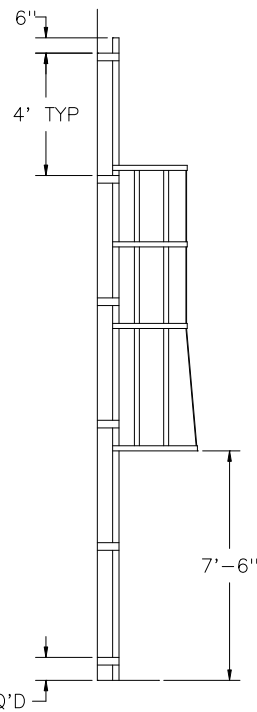


VERTICAL CAGED LADDER ASSEMBLY WITH WALK-THRU/ ROOF-OVER

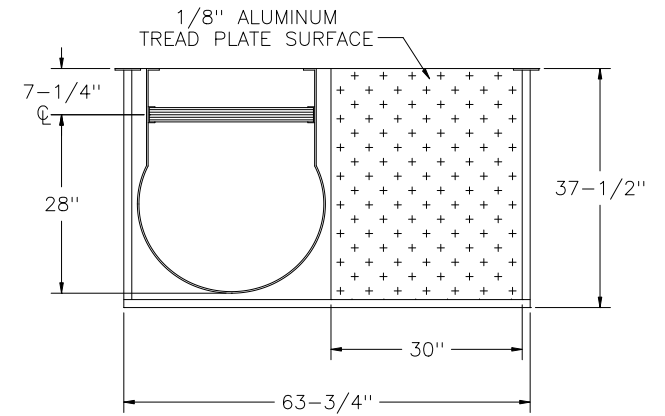
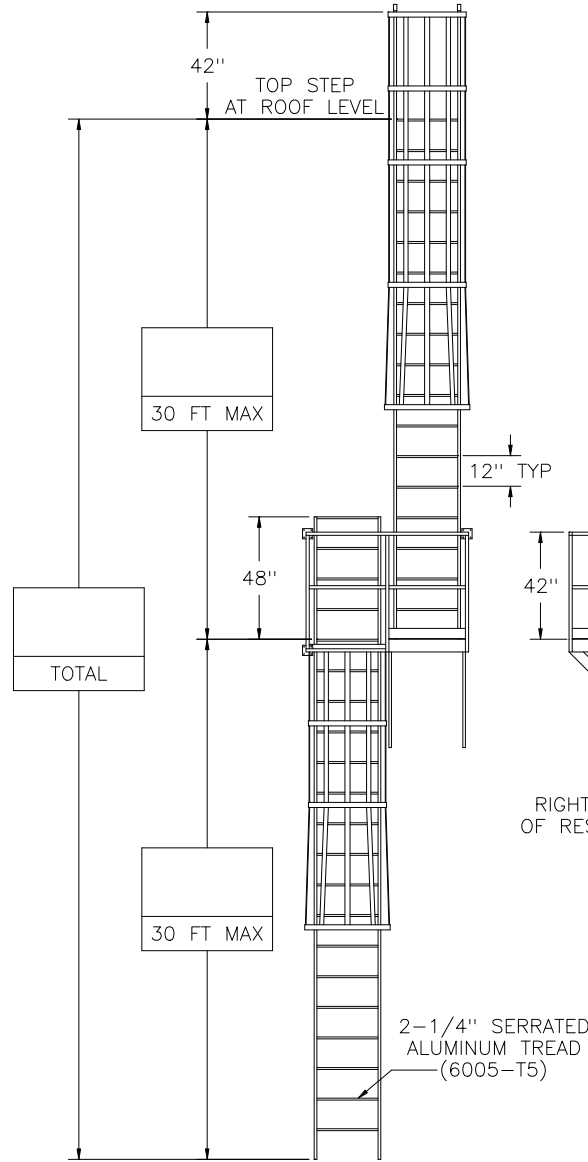
(REST PLATFORM REQUIRED FOR HEIGHTS OVER 30 FT)



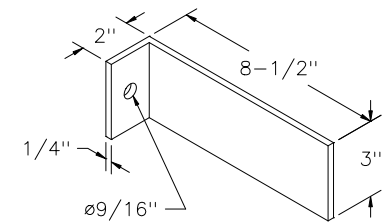
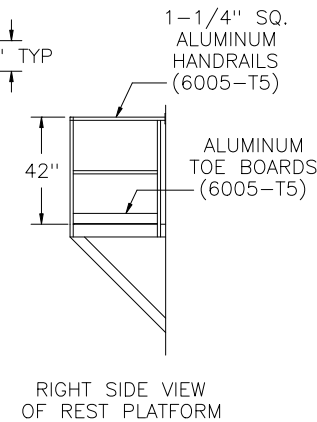
NOTE:
ALL BOLTS/FASTENERS
NECESSARY TO ANCHOR
LADDERS ARE BY OTHERS.



NOTE:
LADDERS ARE SHOWN OFFSET
IN LEFT SIDE VIEW FOR CLARITY.
REST PLATFORM IS OMITTED IN
LEFT SIDE VIEW FOR CLARITY.



PLATFORM PLAN



BRACKET DETAIL

FACTORY FINISH
ALUMINUM-MILL FINISH

FL-07

Precision Ladders, LLC
P.O. BOX 2279 Morristown, TN 37816-2279
Ph: (423) 586-2265 Fax: (423) 586-2091
www.PrecisionLadders.com

WORK ORDER: ()	DWG. CHECK	ARCH'T OR ENG'R.	PROJECT		PRECISION REP
	BUILT BY:	PURCHASE ORDER	REVISION	PURCHASER	SERIAL#
	CHECKED BY:	DRAWN BY: JEB	DATE 12/1/04	MODEL# FL-	QTY.