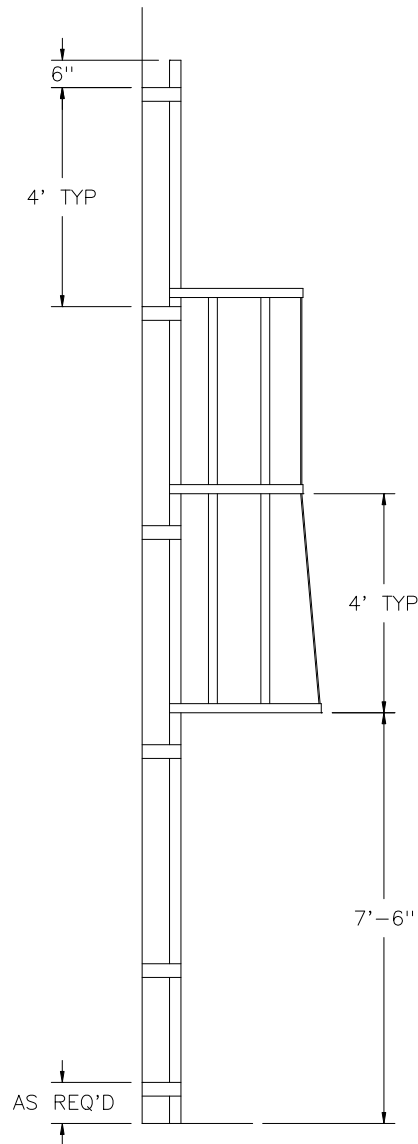
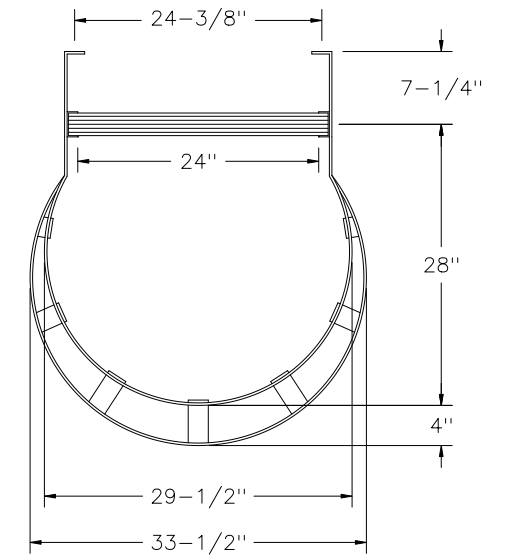
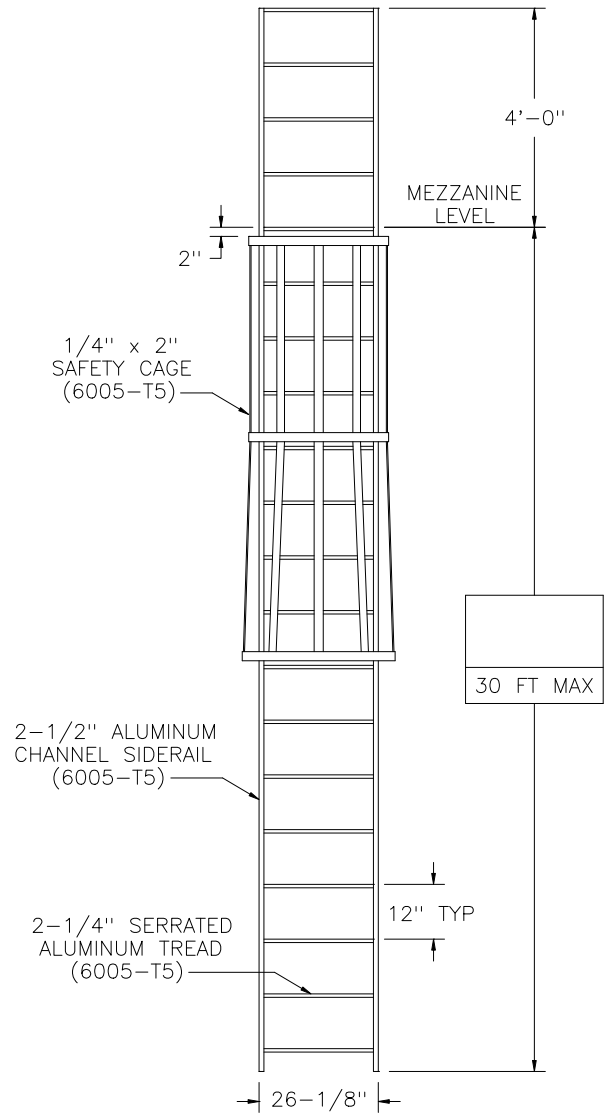


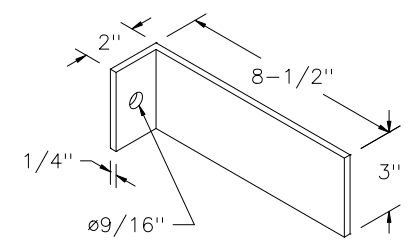
VERTICAL CAGED LADDER FOR SIDE EXIT (PROTECTED LANDING)



NOTE:
ALL BOLTS/FASTENERS
NECESSARY TO ANCHOR
LADDER ARE BY OTHERS.



PLAN



BRACKET DETAIL

FACTORY FINISH
ALUMINUM-MILL FINISH

FL-13

	Precision Ladders, LLC	DWG. CHECK	ARCH'T OR ENG'R.	PROJECT		PRECISION REP	
	P.O. BOX 2279 Morristown, TN 37816-2279 Ph: (423) 586-2265 Fax: (423) 586-2091 www.PrecisionLadders.com	BUILT BY:	PURCHASE ORDER	REVISION	PURCHASER	QTY.	SERIAL#
	CHECKED BY:	DRAWN BY:	JEB	DATE	MODEL#	FL-	
				12/1/04			