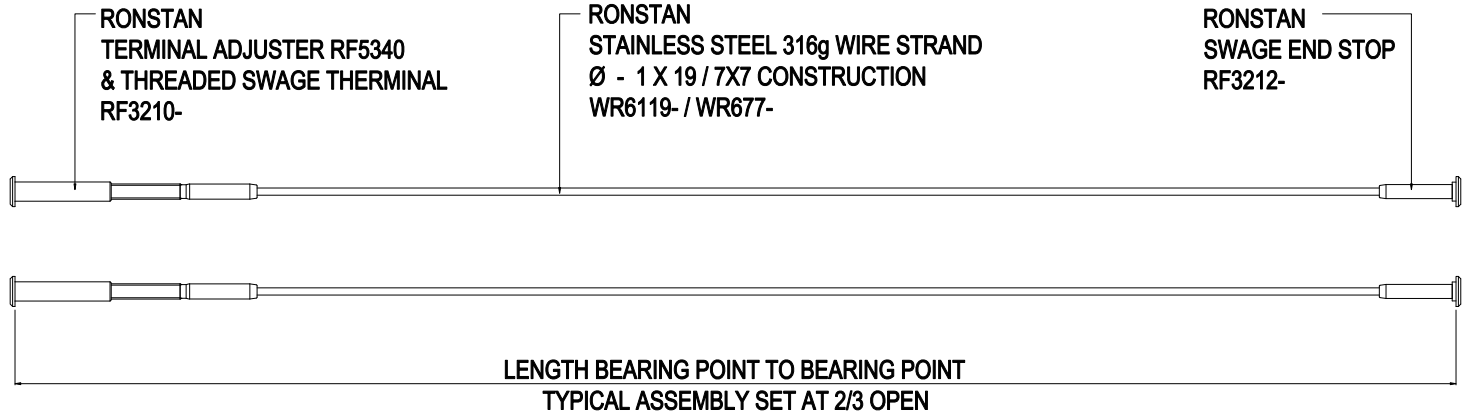




Architectural Rigging Systems  
 FULL SCALE DRAWING ATTACHED - UNITS =IMPERIAL

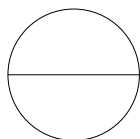
RONSTAN ARCHITECTURAL RIGGING SYSTEMS  
 45 HIGH POINT AVE., SUITE 2  
 PORTSMOUTH, RI 02871  
 PHONE: 401) 293-0539  
 FAX: (401)293-0538  
 www.ronstan.com/arch



- SELECT CABLE DIAMETER / CONSTRUCTION
- 19 - 04 = 1/8 INCH WIRE 1X19 ( ABS1B-19-04 )
  - 19 - 05 = 5/32 INCH WIRE 1X19 ( ABS1B-19-05 )
  - 19 - 06 = 3/16 INCH WIRE 1X19 ( ABS1B-19-06 )
  - 77 - 04 = 1/8 INCH WIRE 7X7 ( ABS1B-77-04 )
  - 77 - 05 = 5/32 INCH WIRE 7X7 ( ABS1B-77-05 )
  - 77 - 06 = 3/16 INCH WIRE 7X7 ( ABS1B-77-06 )

**NOTES:**

1. INSTALLATION TO BE COMPLETED IN ACCORDANCE WITH MANUFACTURERS SPECIFICATIONS.
2. DO NOT SCALE DRAWINGS.
3. DRAWING FOR QUOTATION PURPOSES ONLY.
4. FOR ADDITIONAL INFORMATION CONTACT:  
 RONSTAN ARCHITECTURAL RIGGING SYSTEMS  
 45 HIGH POINT AVE., SUITE 2, PORTSMOUTH, RI 02871  
 TEL: (401) 293-0539 FAX: (401) 293-0538  
 WEBSITE: www.ronstan.com/arch  
 EMAIL: archcad@ronstan.us



**(ABS1B-xx-xx) CABLE ASSEMBLIES**

MICROLOC TERMINAL ADJUSTER / SWAGE STOP RAILING INFILL SYSTEM FOR 1/8, 5/32, 3/16, & 1/4 INCH DIA. WIRE