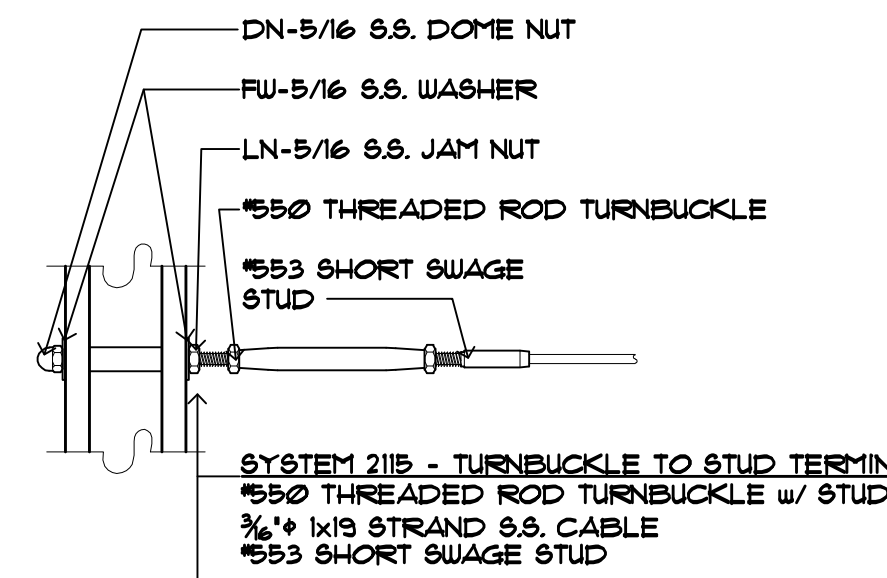
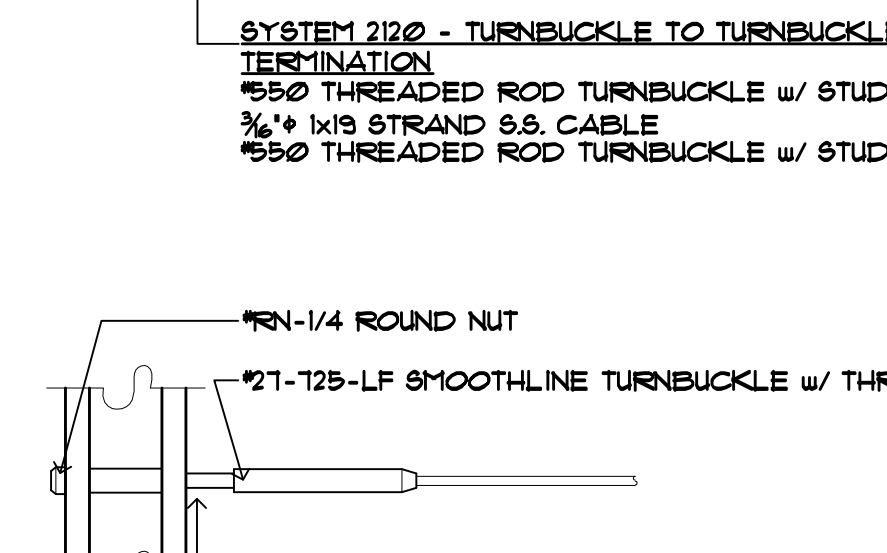


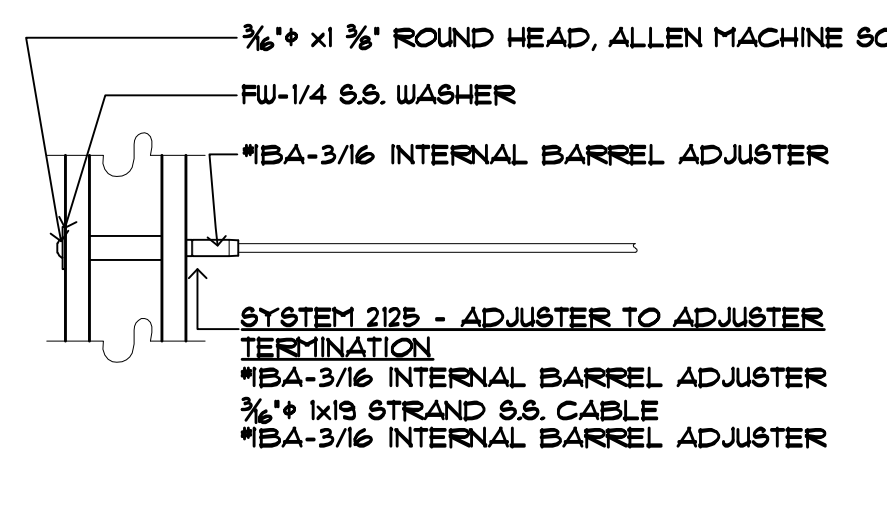
SYSTEM 2102 - STUD TO STUD TERMINATION
 1/2" S.S. TOP CAP
 3/16" x 1/8" STRAND S.S. CABLE
 5/32" SHORT SWAGE STUD



SYSTEM 2115 - TURNBUCKLE TO STUD TERMINATION
 5/32" THREADED ROD TURNBUCKLE w/ STUD
 3/16" x 1/8" STRAND S.S. CABLE
 5/32" SHORT SWAGE STUD

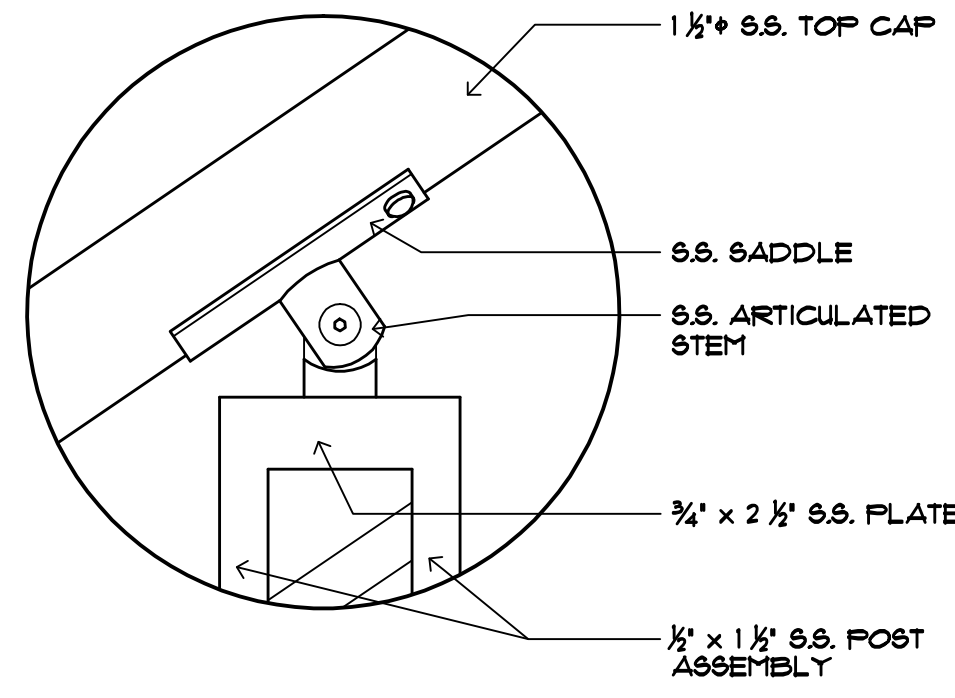


SYSTEM 2120 - TURNBUCKLE TO TURNBUCKLE TERMINATION
 5/32" THREADED ROD TURNBUCKLE w/ THREADED ROD
 3/16" x 1/8" STRAND S.S. CABLE
 5/32" SHORT SWAGE STUD

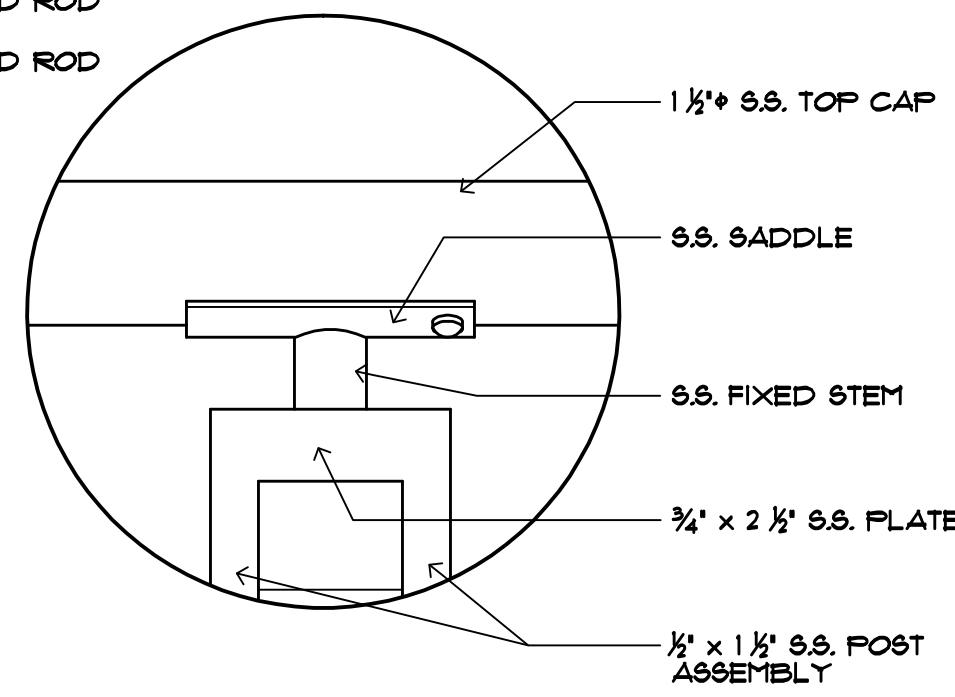


SYSTEM 2125 - ADJUSTER TO ADJUSTER TERMINATION
 3/8" x 1 1/2" ROUND HEAD, ALLEN MACHINE SCREW
 1/4" S.S. WASHER
 3/8" x 3/16" INTERNAL BARREL ADJUSTER

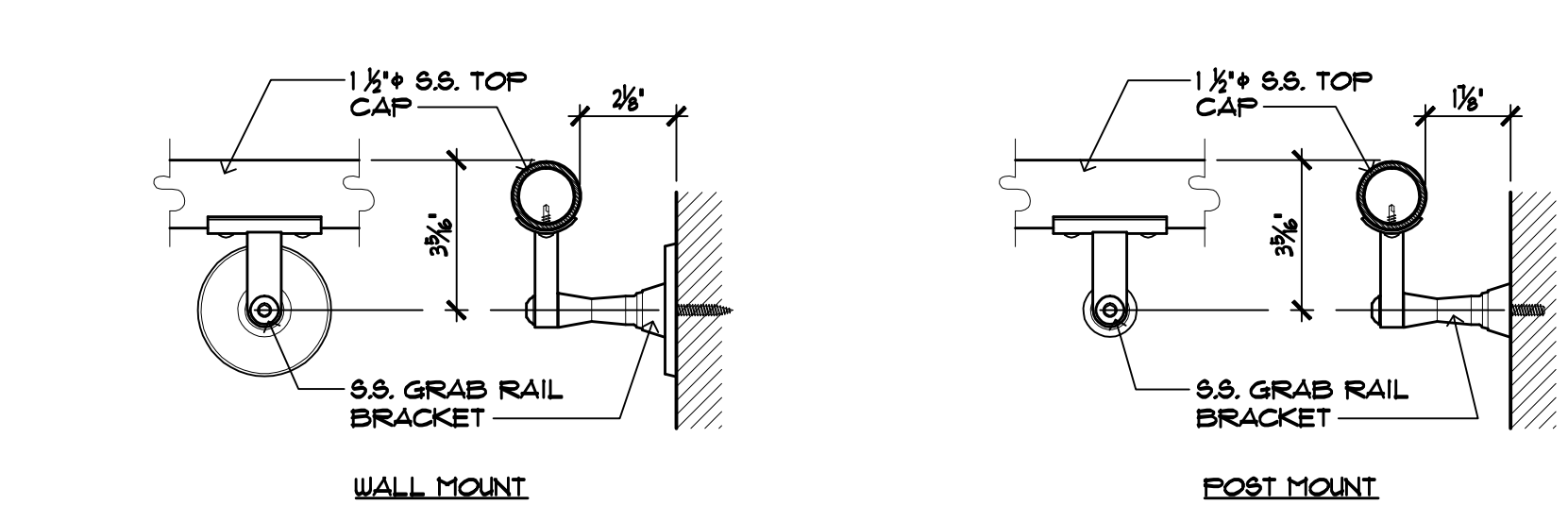
CABLE SYSTEM OPTIONS
 SCALE: 3/4" = 1'-0"



ARTICULATED STEM DETAIL
 SCALE: 6/8" = 1'-0"

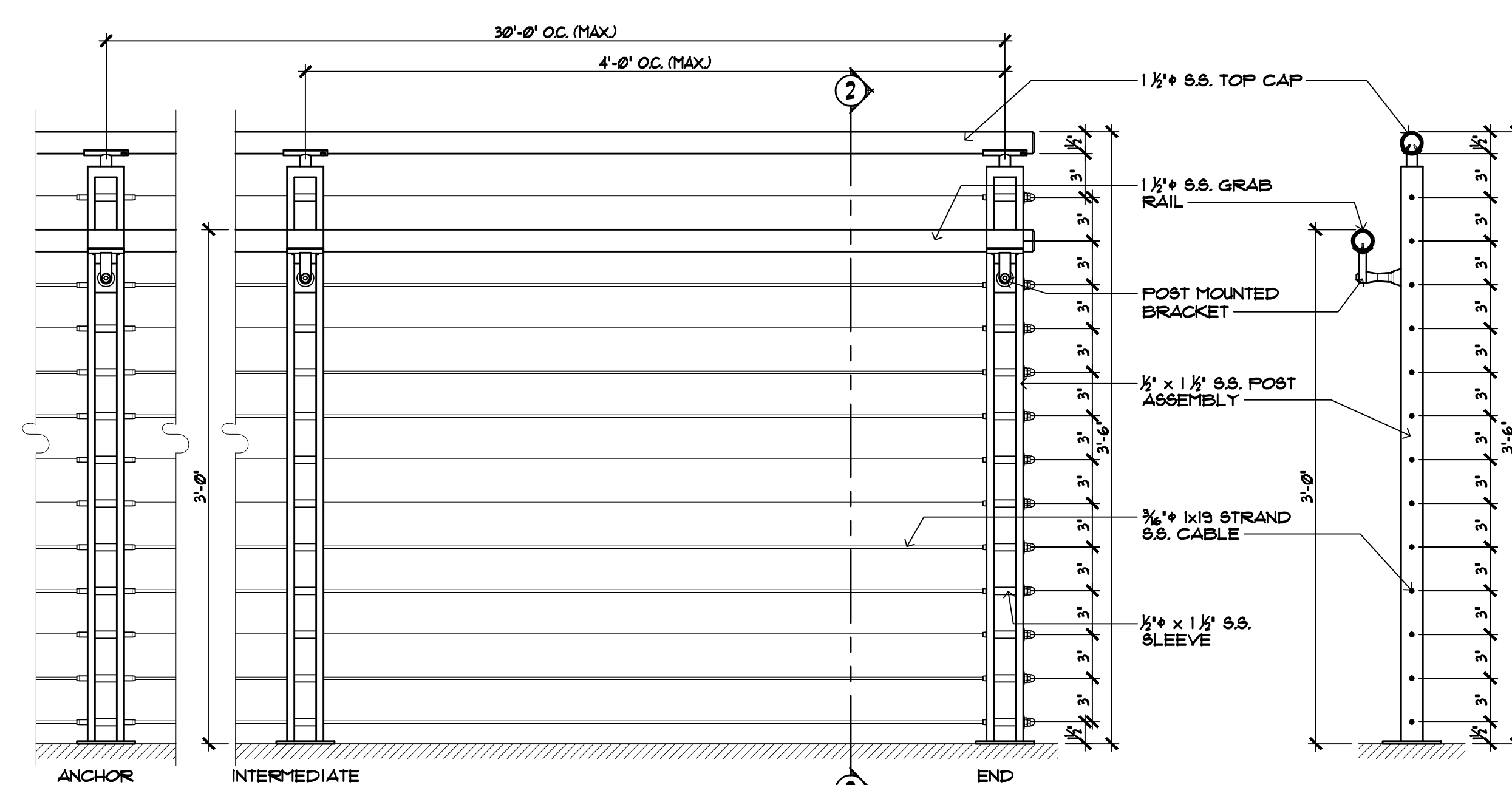


FIXED STEM DETAIL
 SCALE: 6/8" = 1'-0"



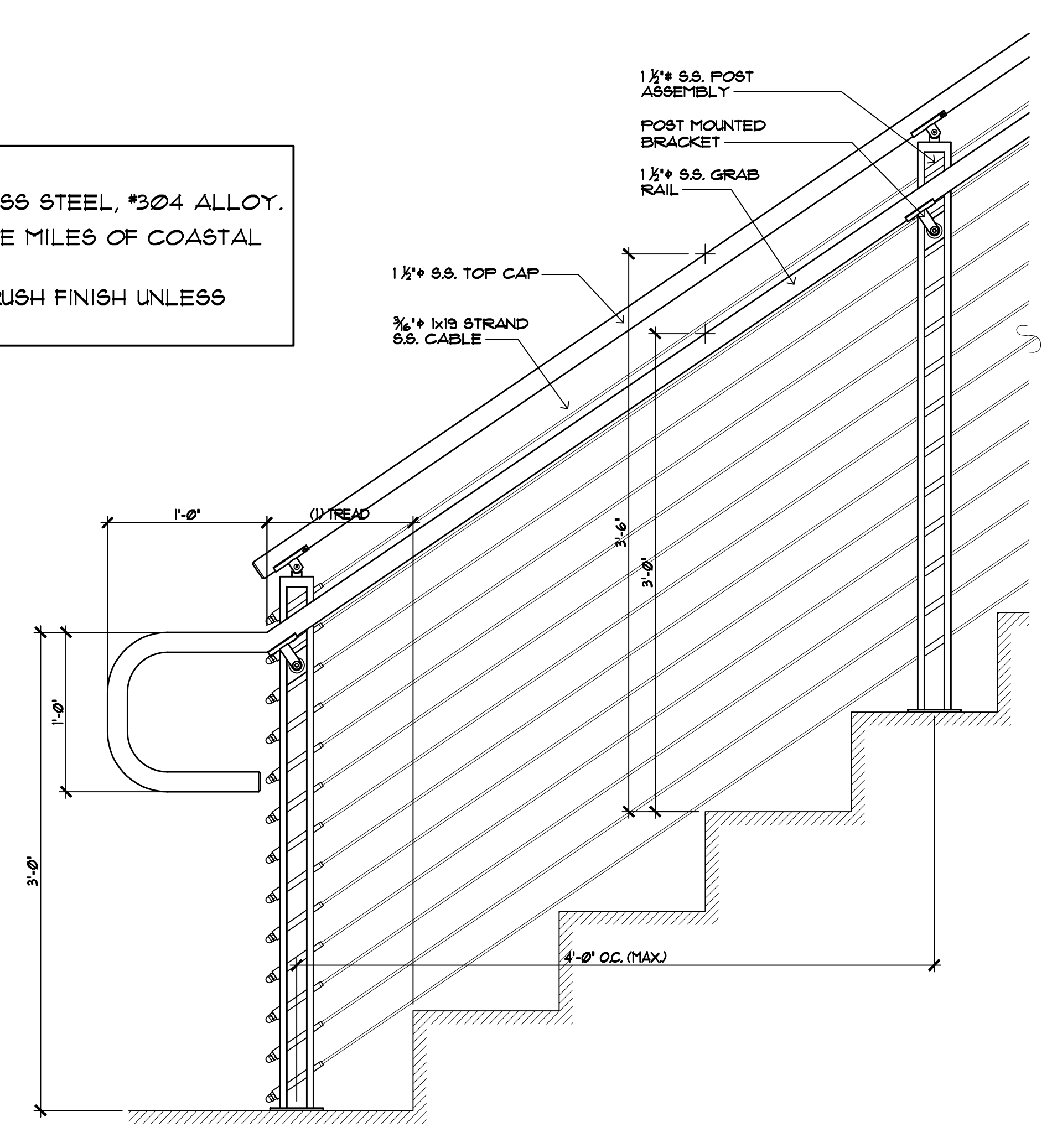
BRACKET DETAILS
 SCALE: 3/4" = 1'-0"

NOTES -
 * ALL COMPONENTS TO BE STAINLESS STEEL, #304 ALLOY.
 * ALL EXTERIOR RAILING WITHIN FIVE MILES OF COASTAL WATERS TO BE #316 ALLOY.
 * ALL COMPONENTS TO HAVE #3 BRUSH FINISH UNLESS OTHERWISE REQUESTED.

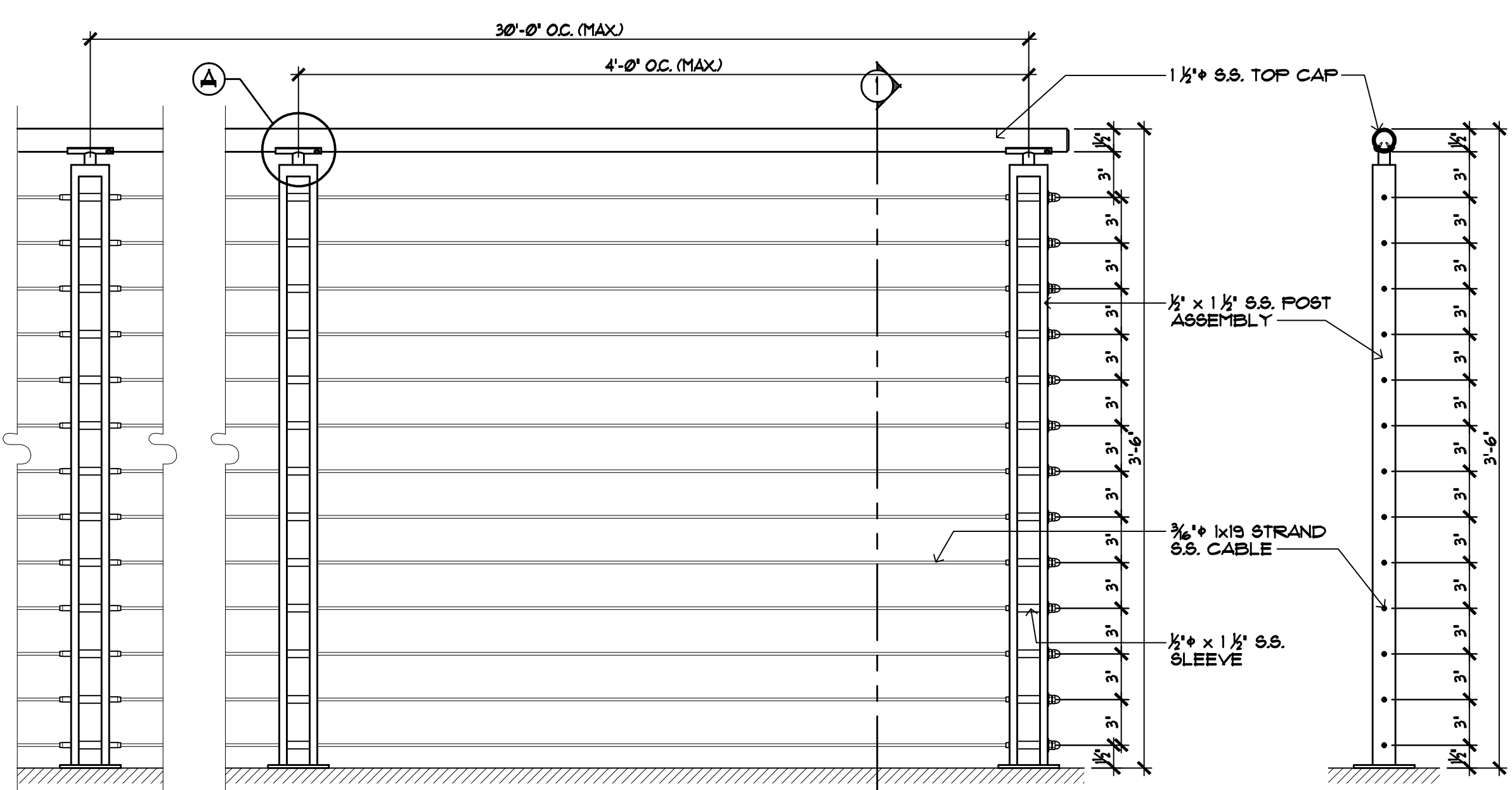


LEVEL GUARDRAIL w/ GRAB RAIL ELEVATION
 SCALE: 1/2" = 1'-0"

SECTION
 SCALE: 1/2" = 1'-0"

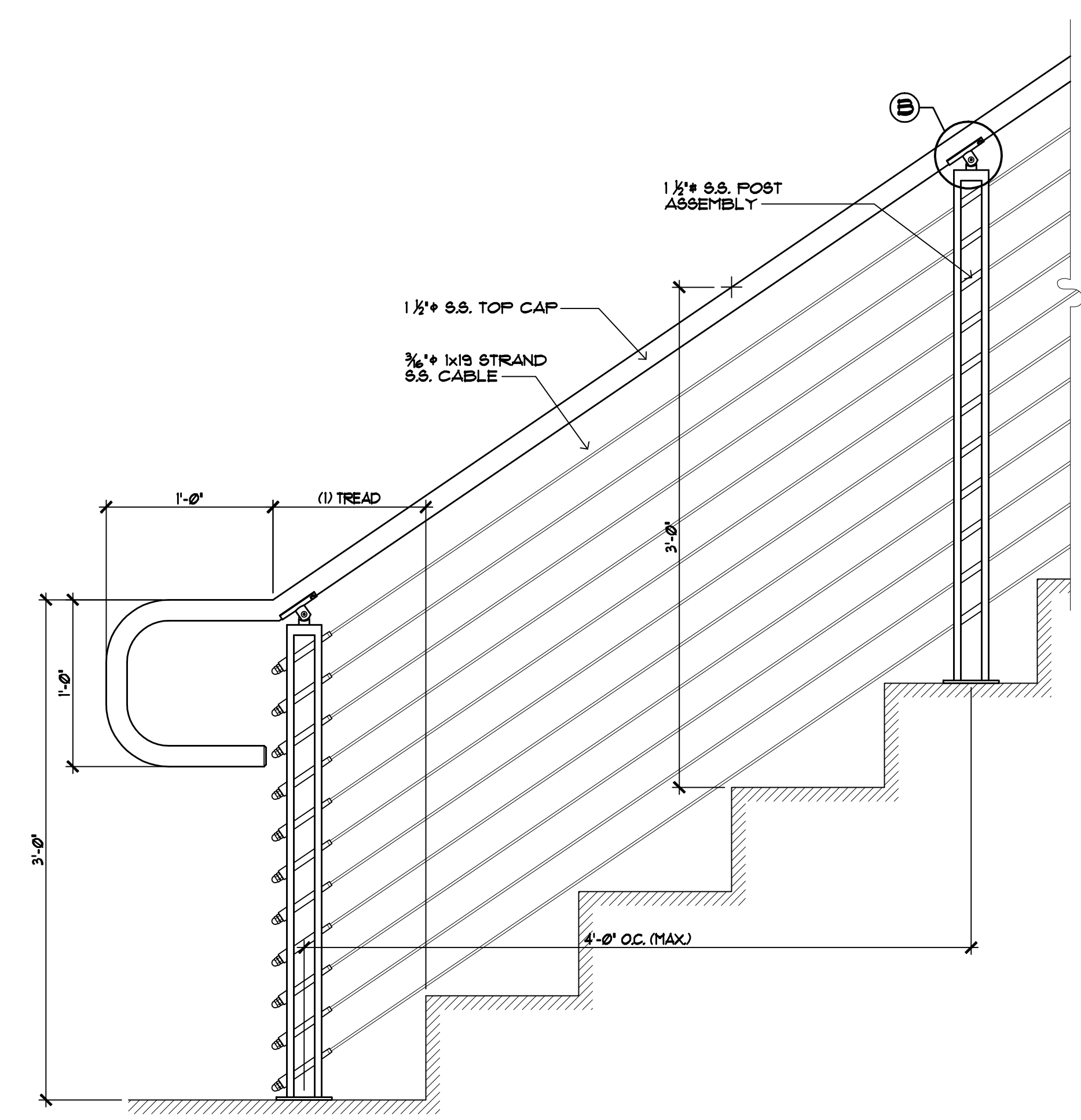


STAIR GUARDRAIL w/ GRAB RAIL ELEVATION
 SCALE: 1/2" = 1'-0"

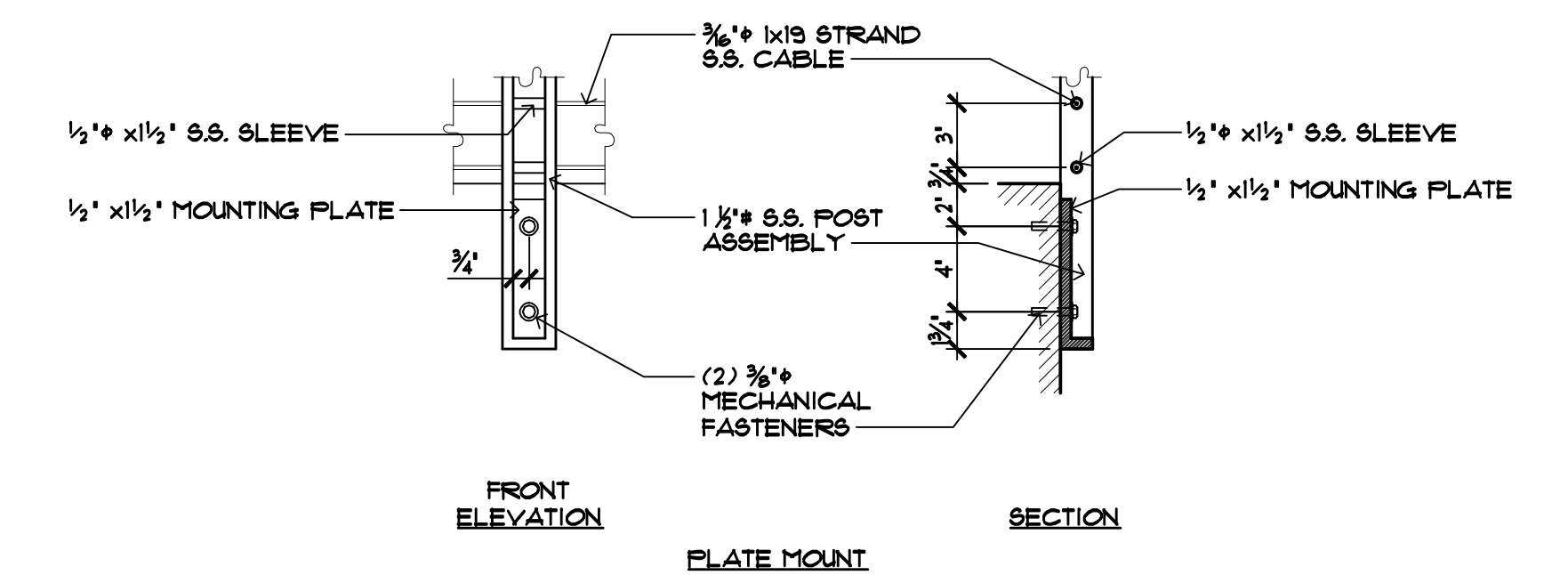


LEVEL GUARDRAIL ELEVATION
 SCALE: 1/2" = 1'-0"

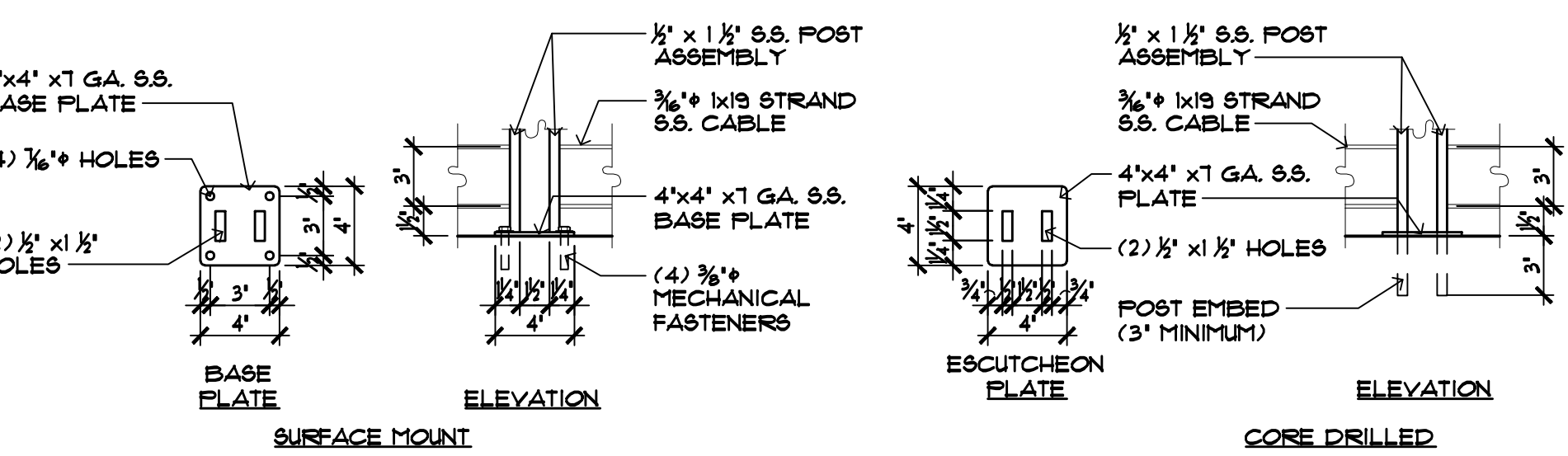
SECTION
 SCALE: 1/2" = 1'-0"



STAIR GUARDRAIL ELEVATION
 SCALE: 1/2" = 1'-0"



FASCIA MOUNTING DETAILS
 SCALE: 1/2" = 1'-0"



FLOOR MOUNTING DETAILS
 SCALE: 1/2" = 1'-0"

Product:
FB1-2000 COMPONENT RAILING SYSTEM

Notes:
 COPY & PASTE MODELSPACE ENTITIES INTO MODELSPACE OF ARCHITECTURAL SET WITH AN INSERTION POINT OF (0,0).
 COPY & PASTE PAPERSPACE ENTITIES INTO PAPERSPACE OF ARCHITECTURAL SET AND REACTIVATE ALL VIEWPORTS.
 USE COLOR DEPENDANT PLOT STYLES AS FOLLOWS:
 COLOR #240 = .0035" | COLOR #242 = .0059" | COLOR #246 = .0157"
 COLOR #241 = .0209" | COLOR #245 = .0098"

