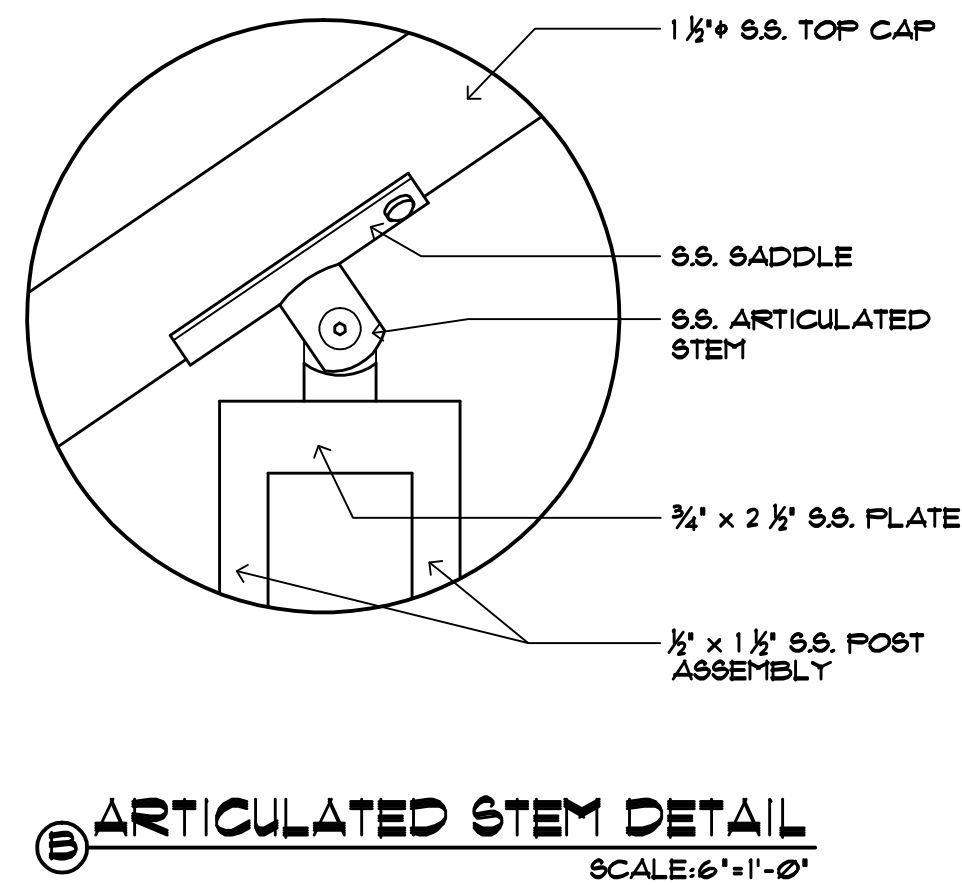
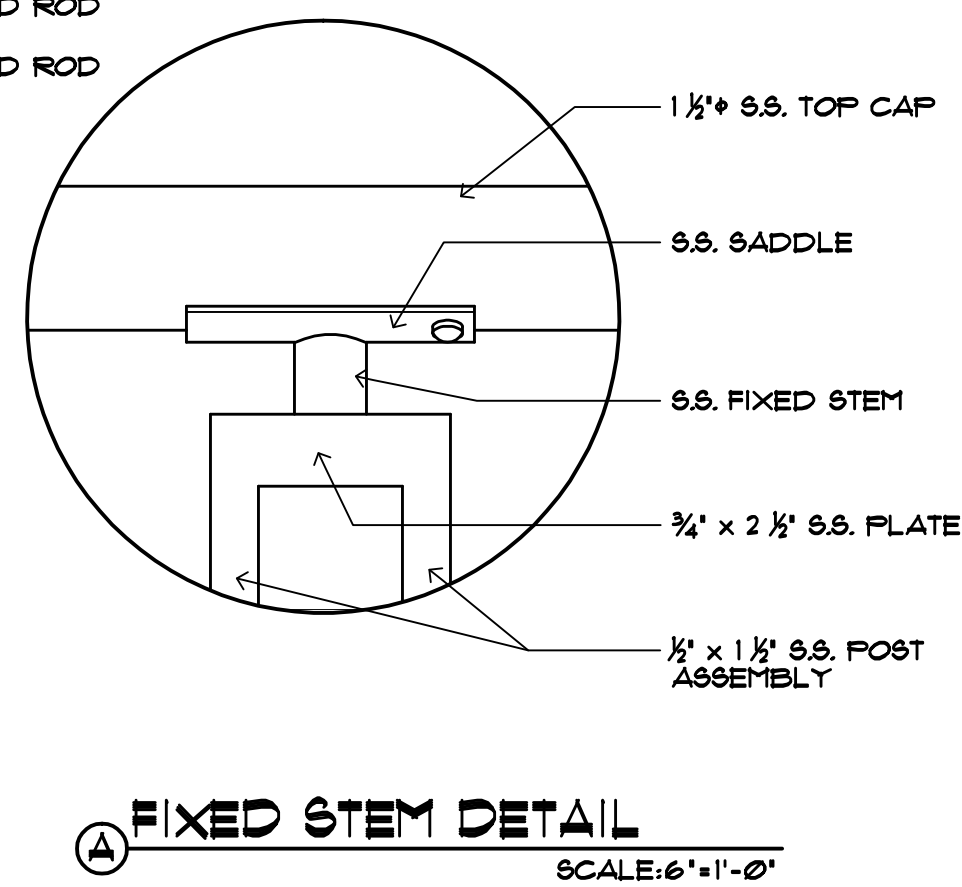


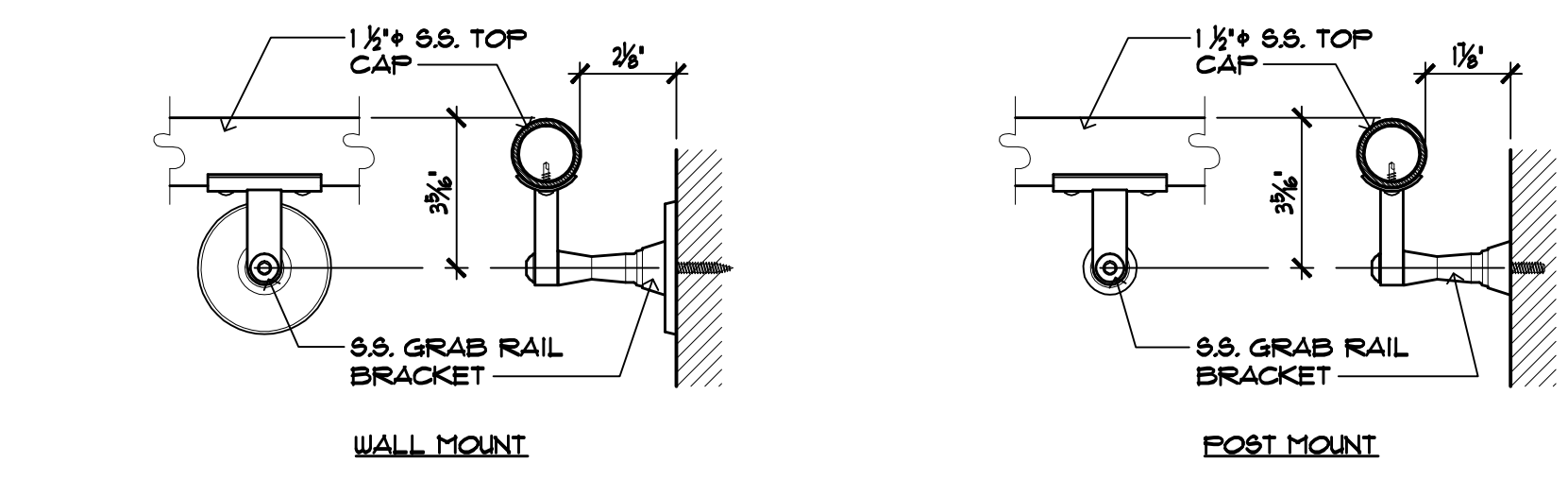
**CABLE SYSTEM OPTIONS**  
SCALE: 3/4"=1'-0"



**ARTICULATED STEM DETAIL**  
SCALE: 6"=1'-0"

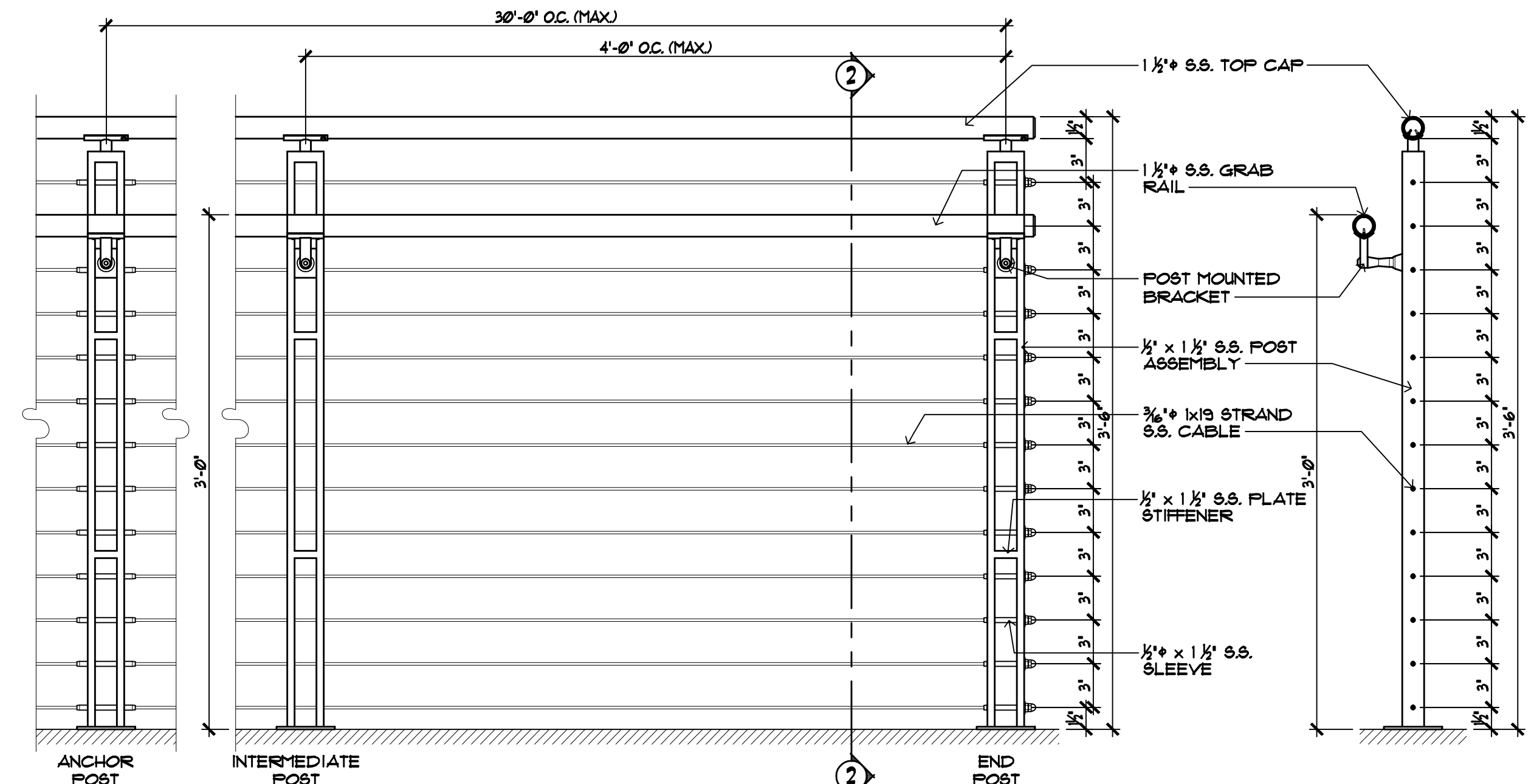


**FIXED STEM DETAIL**  
SCALE: 6"=1'-0"



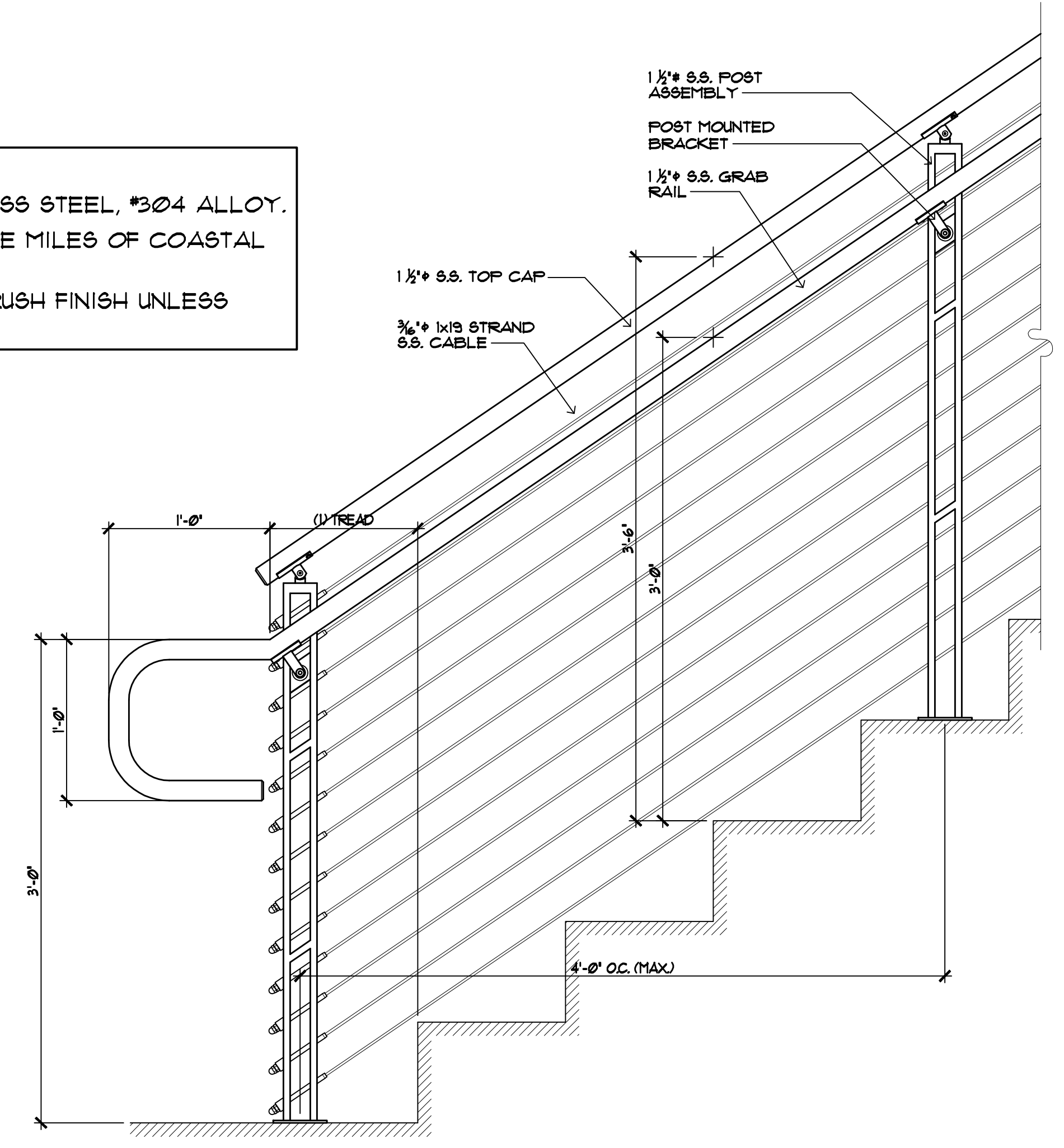
**BRACKET DETAILS**  
SCALE: 3/4"=1'-0"

**NOTES -**  
 \* ALL COMPONENTS TO BE STAINLESS STEEL, #304 ALLOY.  
 \* ALL EXTERIOR RAILING WITHIN FIVE MILES OF COASTAL WATERS TO BE #316 ALLOY.  
 \* ALL COMPONENTS TO HAVE #3 BRUSH FINISH UNLESS OTHERWISE REQUESTED.

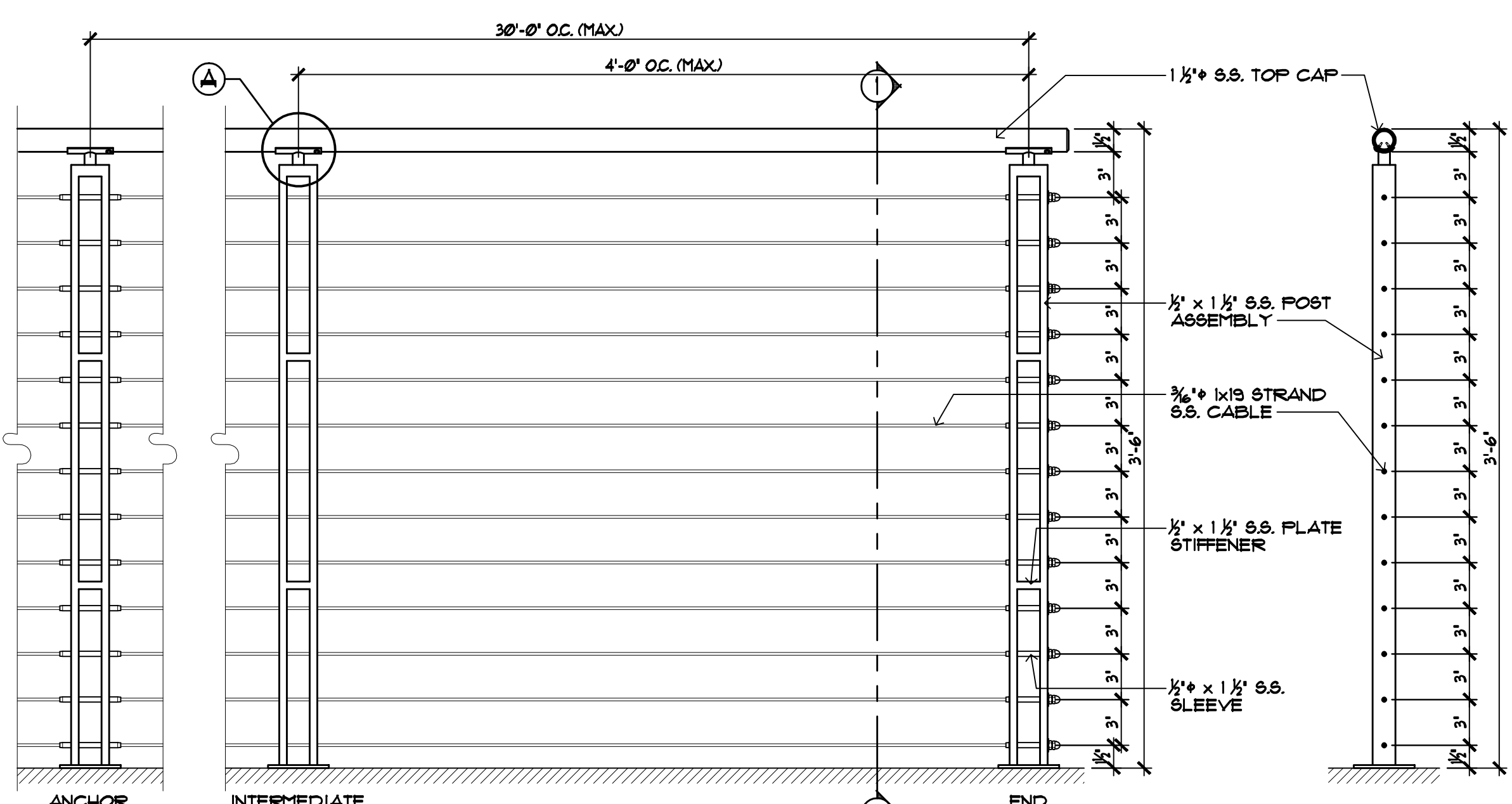


**LEVEL GUARDRAIL w/ GRAB RAIL ELEVATION**  
SCALE: 1/2"=1'-0"

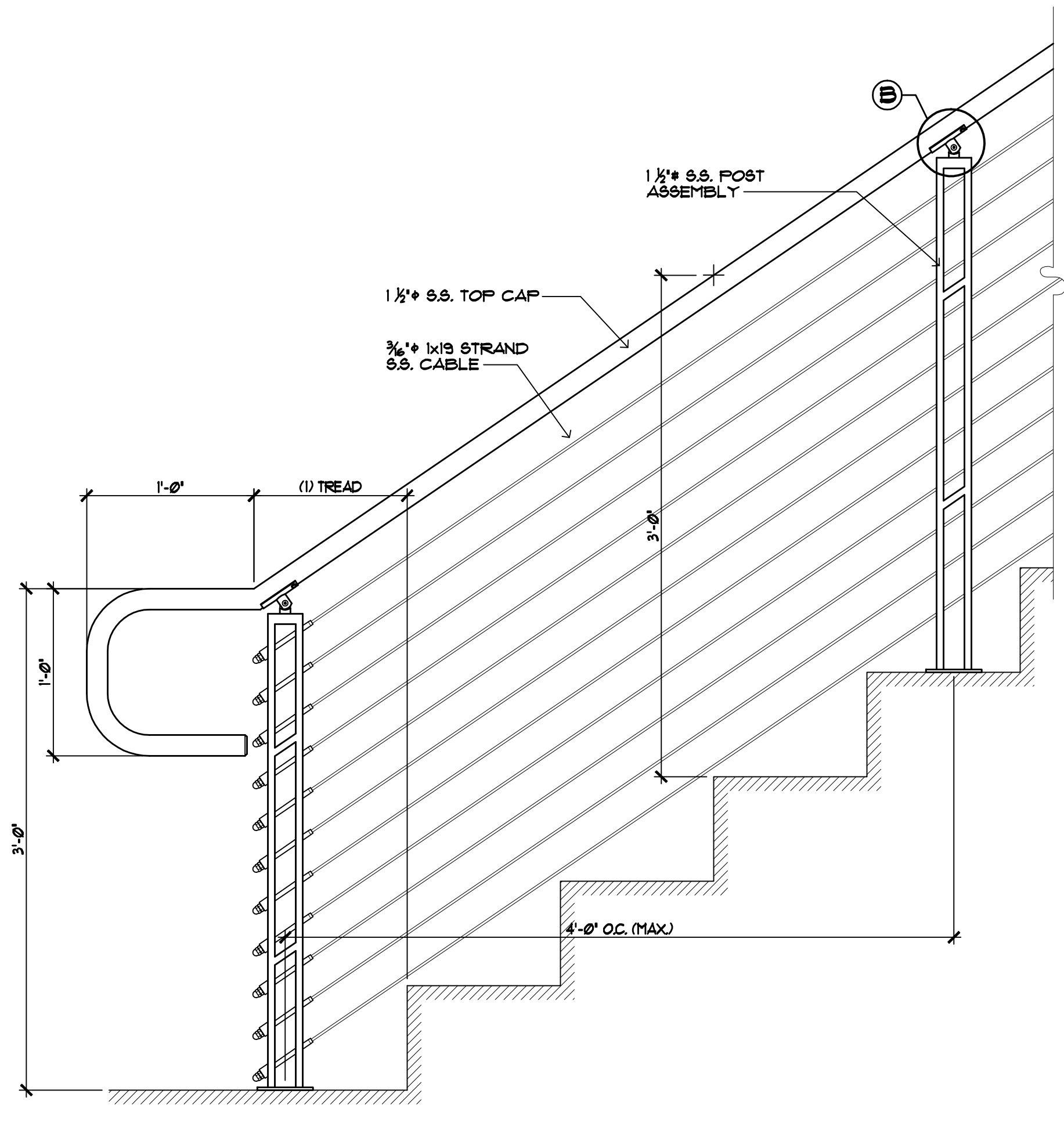
**SECTION**  
SCALE: 1/2"=1'-0"



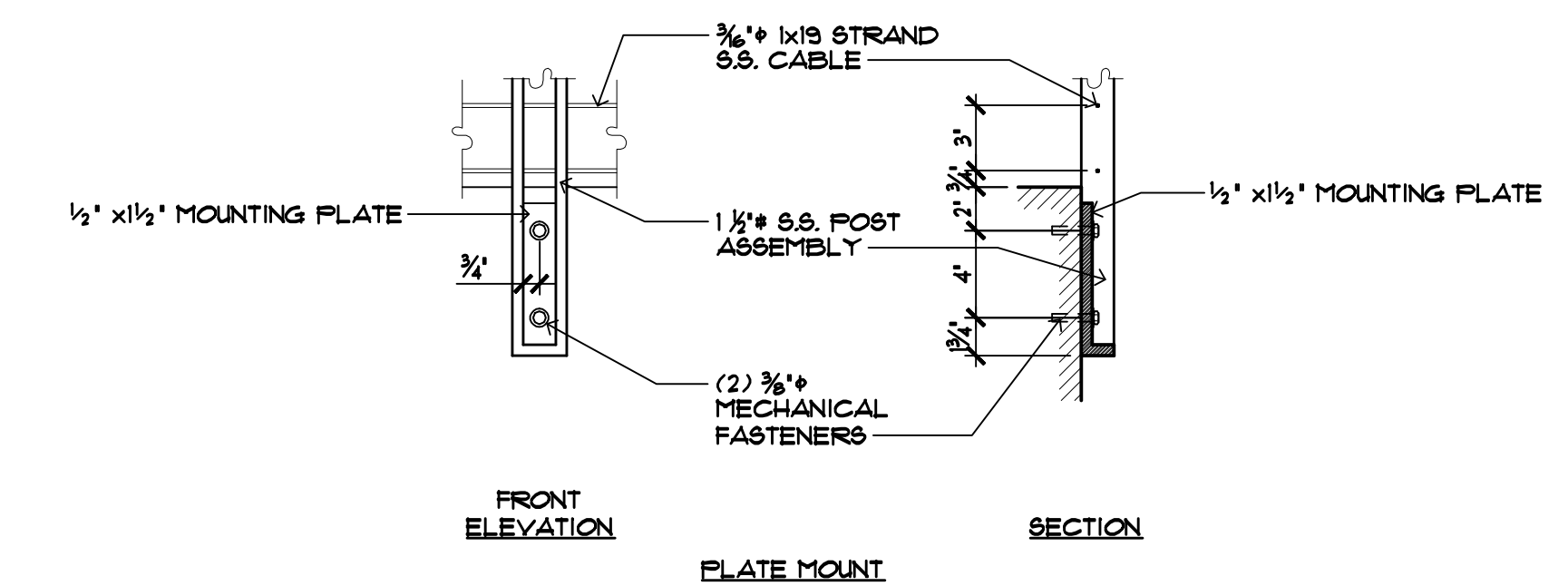
**STAIR GUARDRAIL w/ GRAB RAIL ELEVATION**  
SCALE: 1/2"=1'-0"



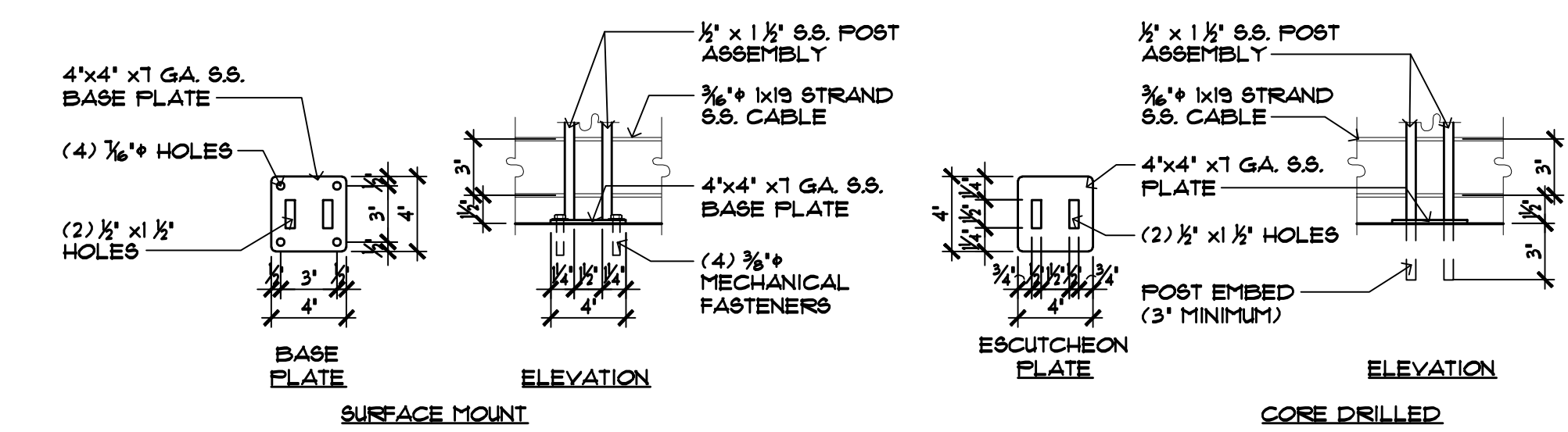
**LEVEL GUARDRAIL ELEVATION**  
SCALE: 1/2"=1'-0"



**STAIR GUARDRAIL ELEVATION**  
SCALE: 1/2"=1'-0"



**FASCIA MOUNTING DETAILS**  
SCALE: 1/2"=1'-0"



**FLOOR MOUNTING DETAILS**  
SCALE: 1/2"=1'-0"

Product:  
**FB3-2000 COMPONENT RAILING SYSTEM**

Notes:  
 COPY & PASTE MODELSPACE ENTITIES INTO MODELSPACE OF ARCHITECTURAL SET WITH AN INSERTION POINT OF (0,0).  
 COPY & PASTE PAPERSPACE ENTITIES INTO PAPERSPACE OF ARCHITECTURAL SET AND REACTIVATE ALL VIEWPORTS.  
 USE COLOR DEPENDANT PLOT STYLES AS FOLLOWS:  
 COLOR #240 = .0035" | COLOR #242 = .0059" | COLOR #246 = .0157"  
 COLOR #241 = .0209" | COLOR #245 = .0098"

