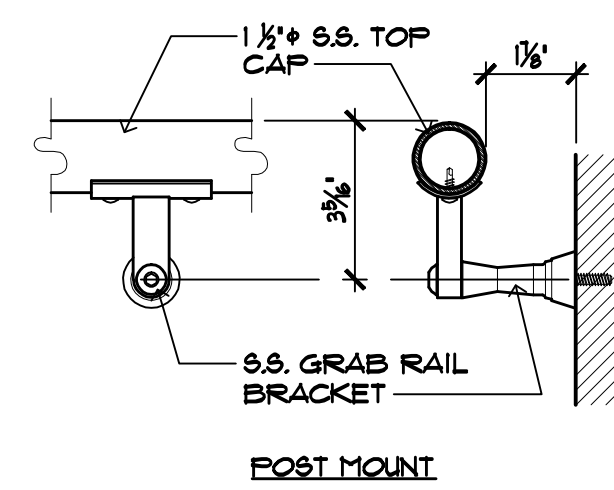
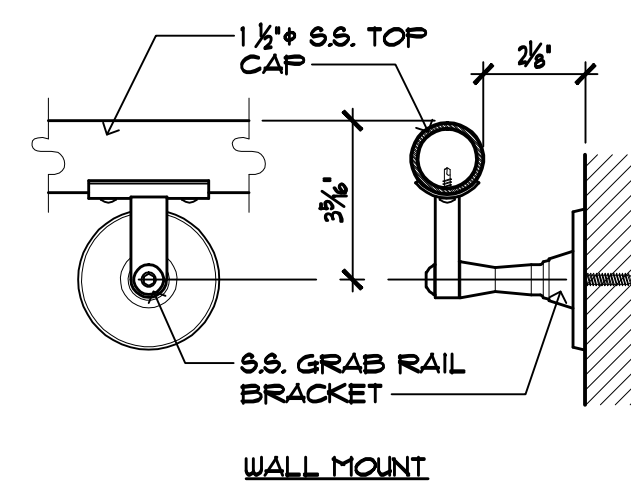
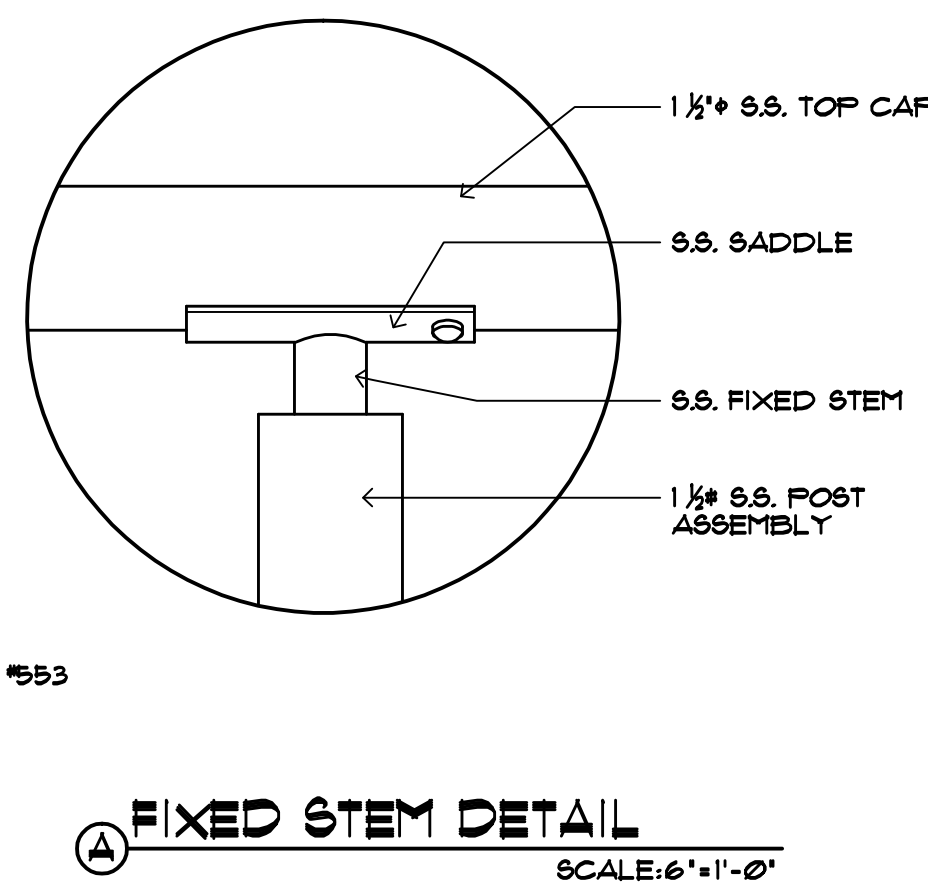
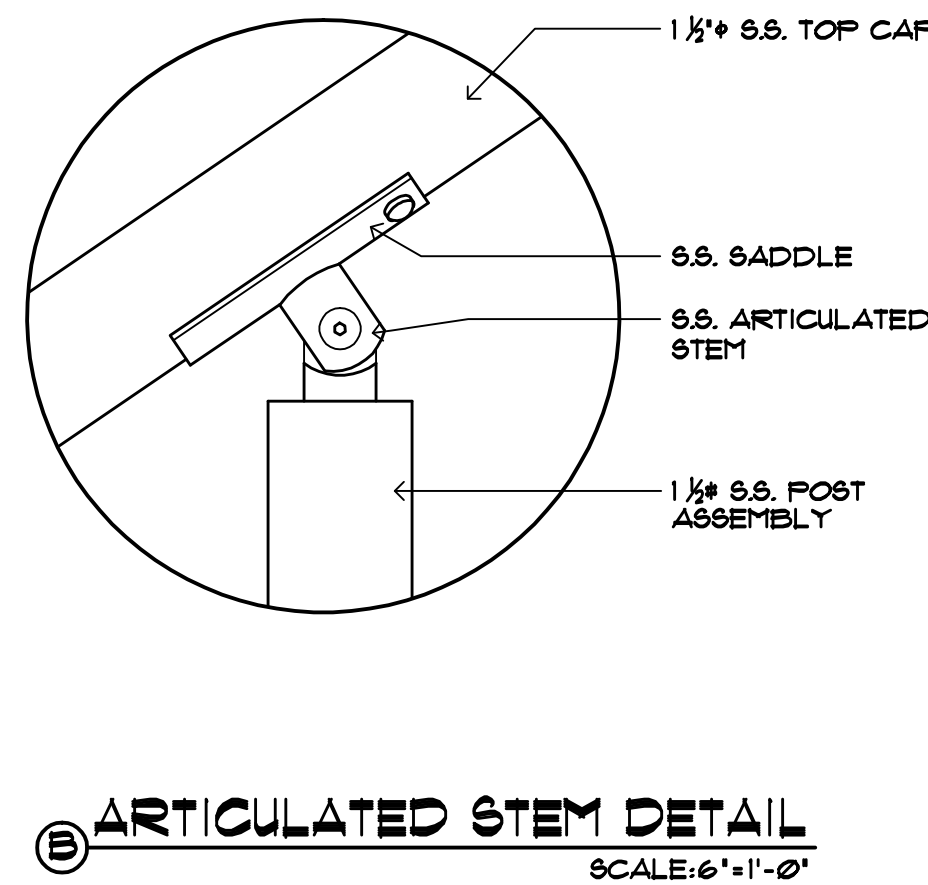
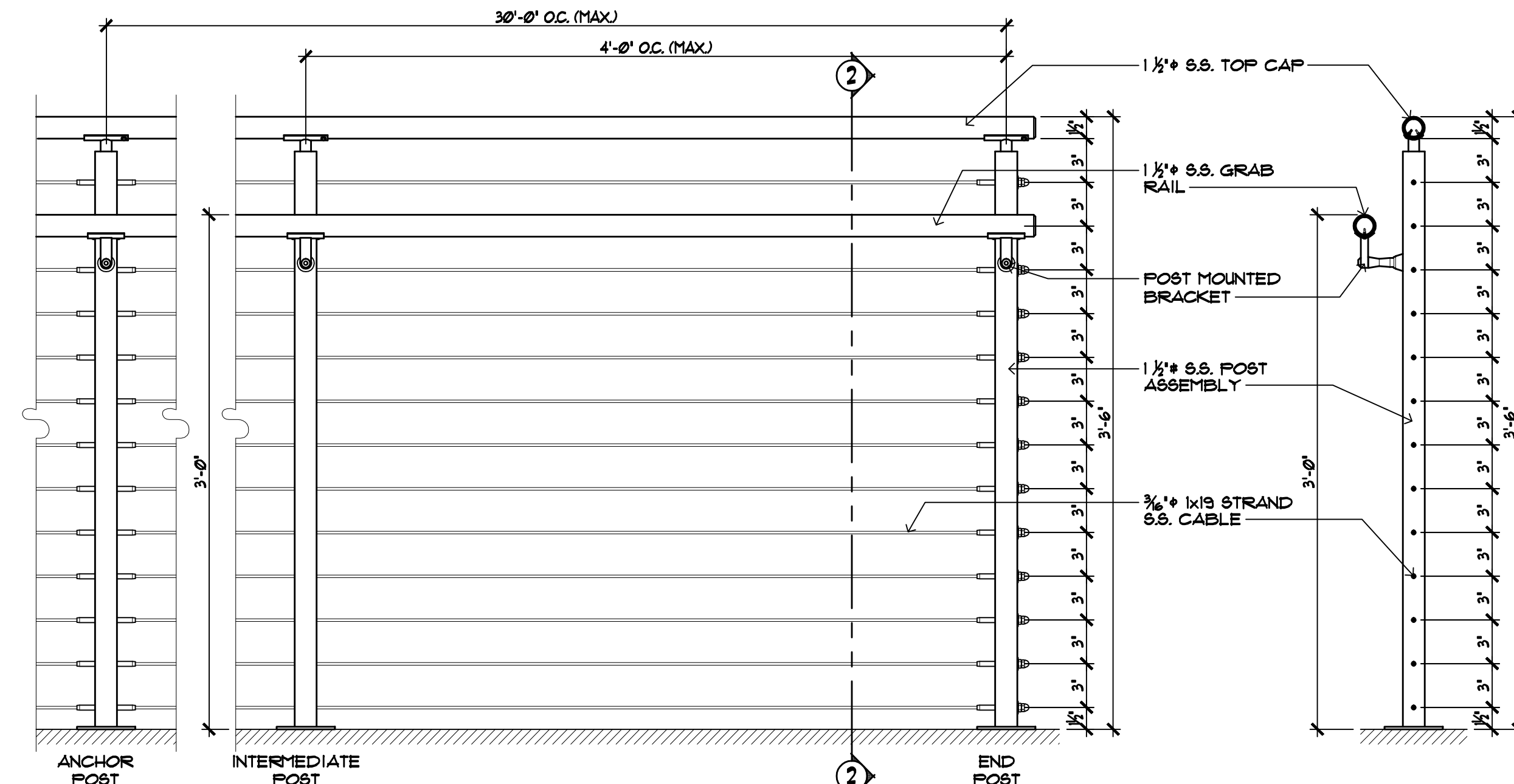


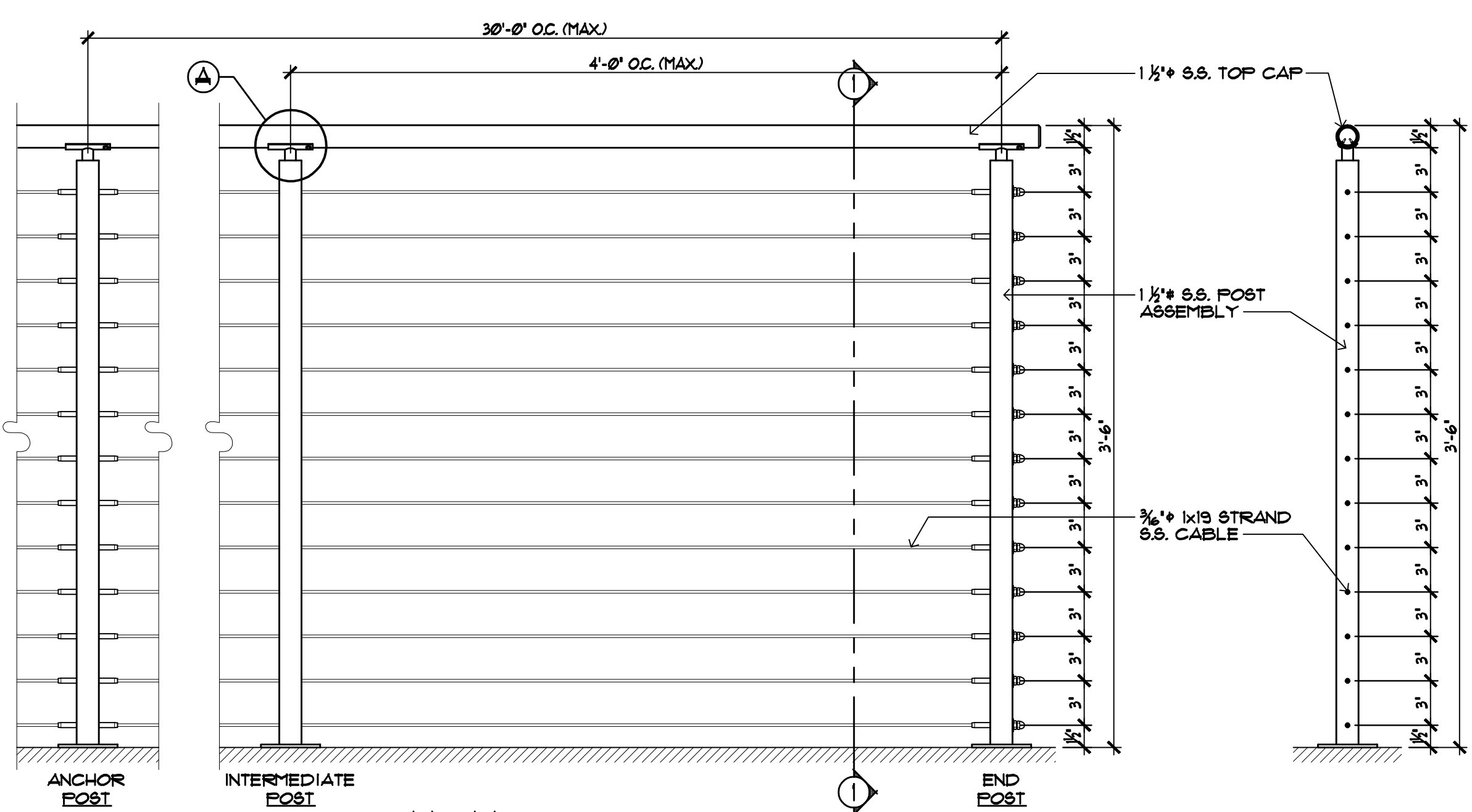
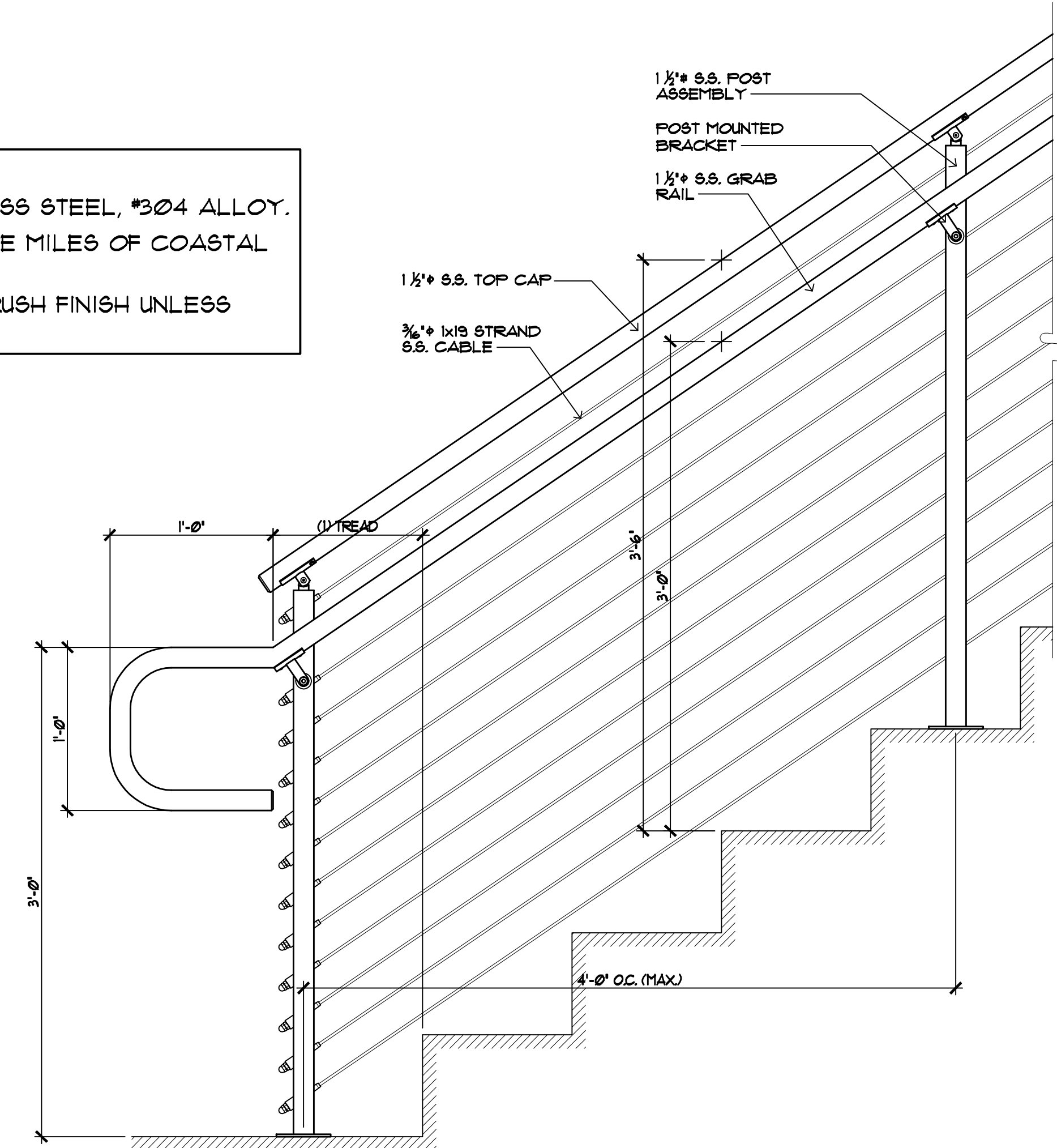
CABLE SYSTEM OPTIONS
SCALE: 3/4"=1'-0"



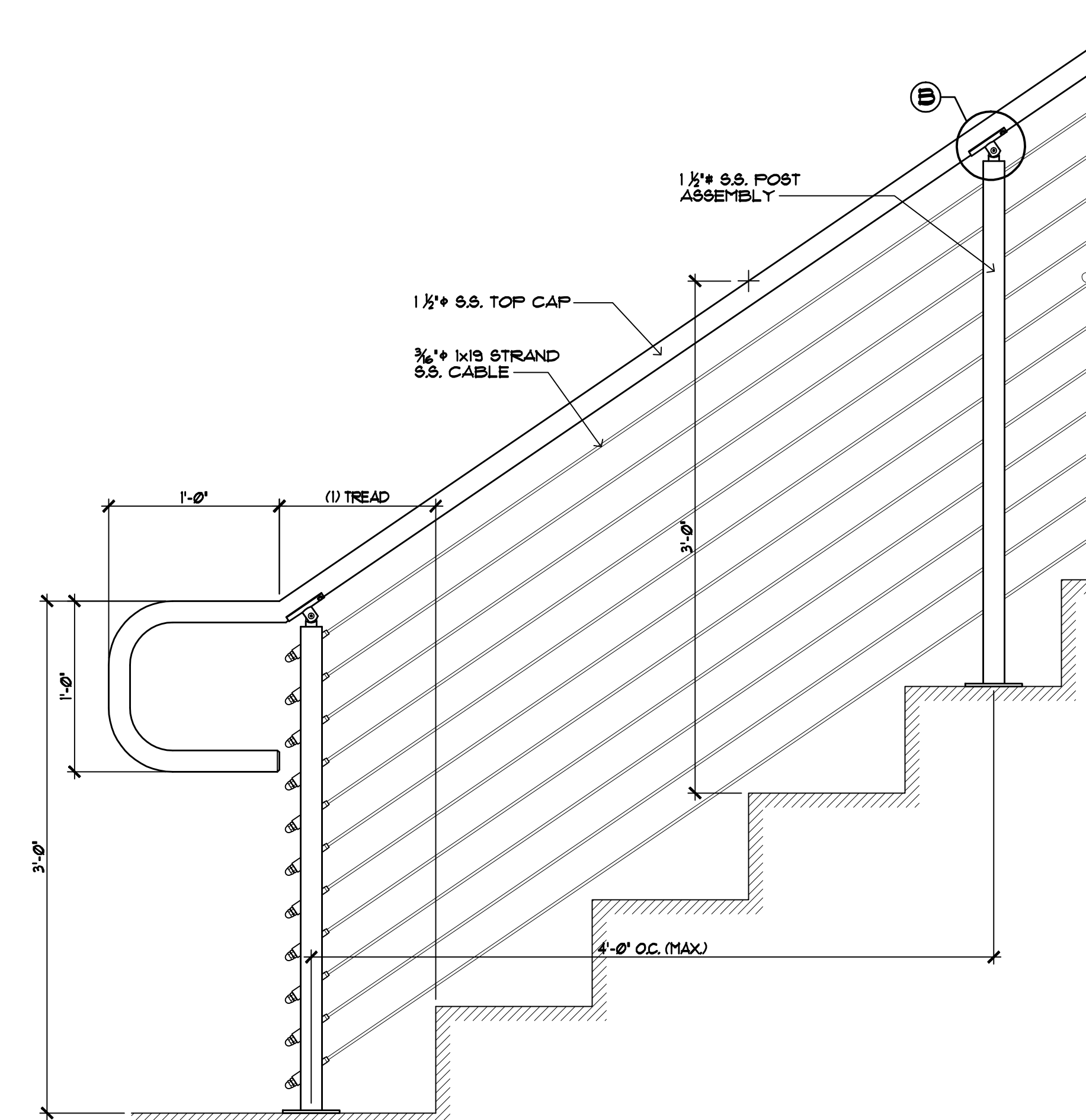
BRACKET DETAILS
SCALE: 3/4"=1'-0"



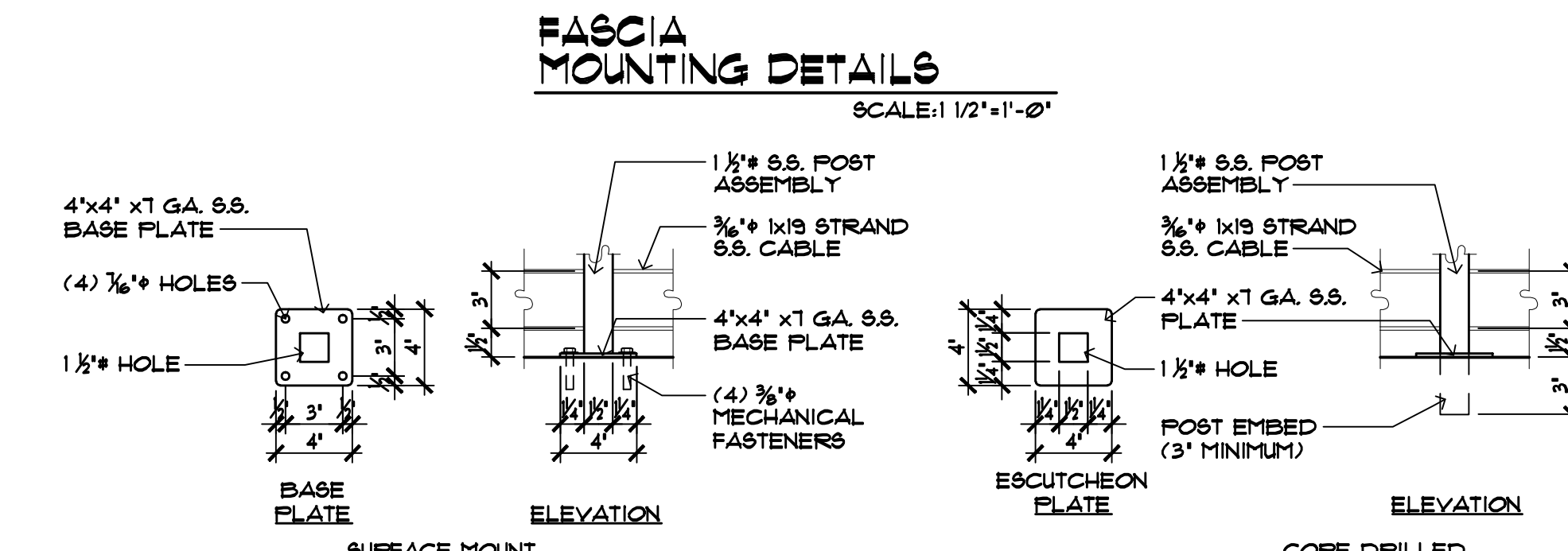
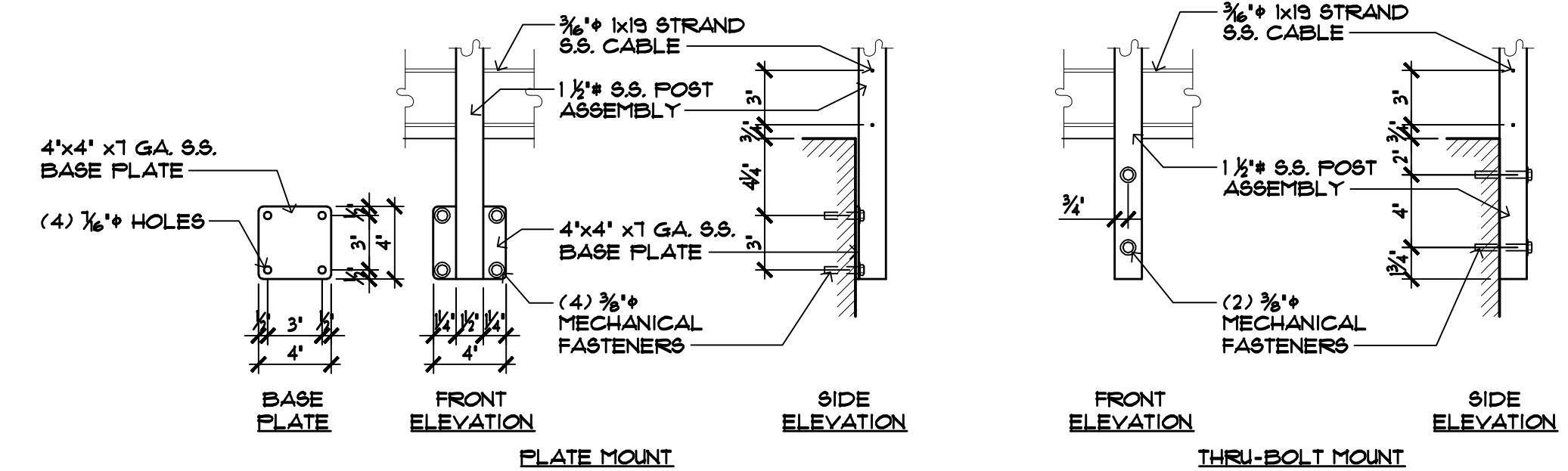
SECTION
SCALE: 1/2"=1'-0"



LEVEL GUARDRAIL ELEVATION
SCALE: 1/2"=1'-0"



STAIR GUARDRAIL ELEVATION
SCALE: 1/2"=1'-0"



Product:
SP1-2000 COMPONENT RAILING SYSTEM

Notes:
COPY & PASTE MODELSPACE ENTITIES INTO MODELSPACE OF ARCHITECTURAL SET WITH AN INSERTION POINT OF (0,0).
COPY & PASTE PAPERSPACE ENTITIES INTO PAPERSPACE OF ARCHITECTURAL SET AND REACTIVATE ALL VIEWPORTS.
USE COLOR DEPENDANT PLOT STYLES AS FOLLOWS:
COLOR #240 = .0035" | COLOR #242 = .0059" | COLOR #246 = .0157"
COLOR #241 = .0209" | COLOR #245 = .0098"

