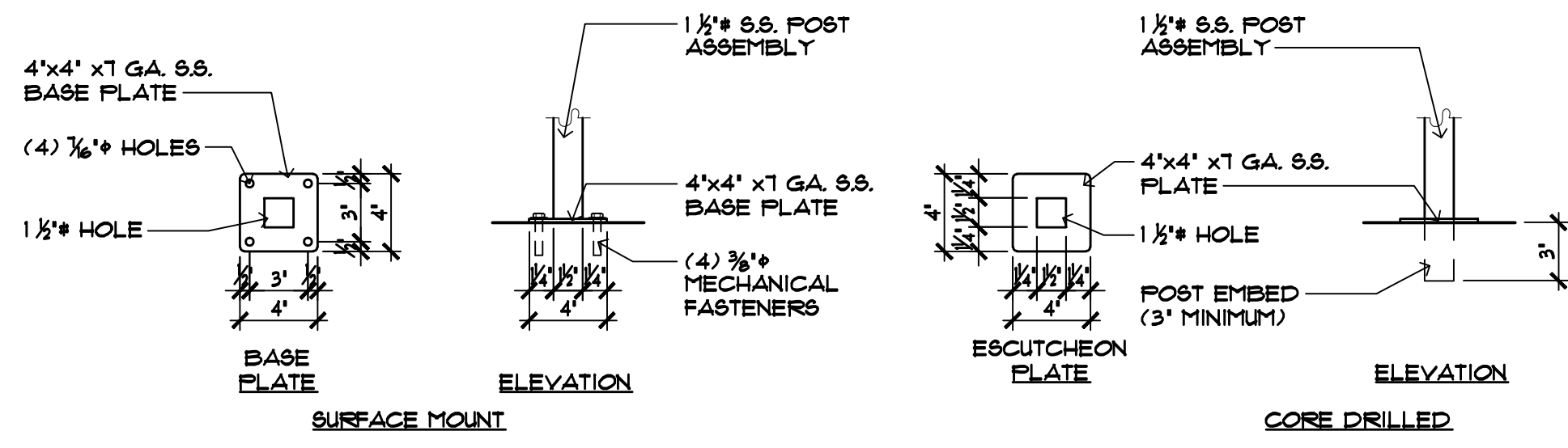


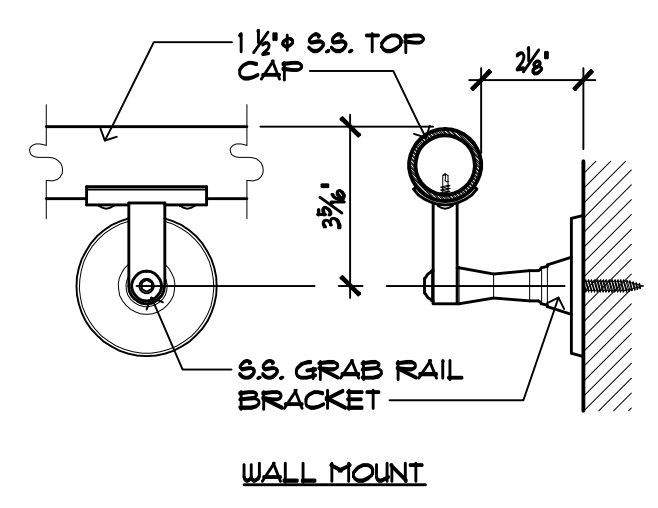
**FASCIA MOUNTING DETAILS**

SCALE: 1/2"=1'-0"



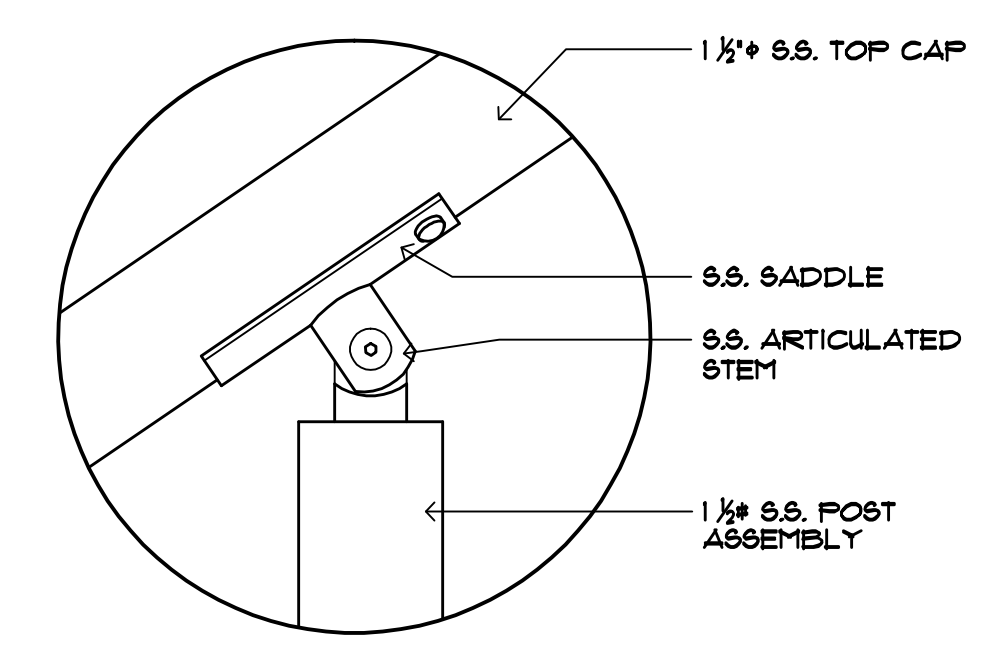
**FLOOR MOUNTING DETAILS**

SCALE: 1/2"=1'-0"



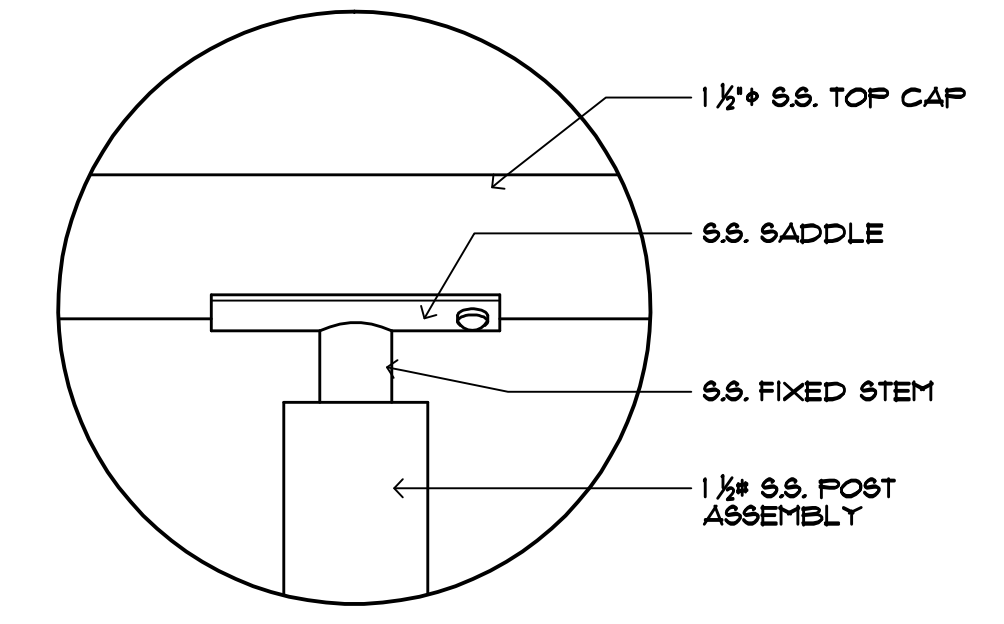
**BRACKET DETAILS**

SCALE: 3/4"=1'-0"



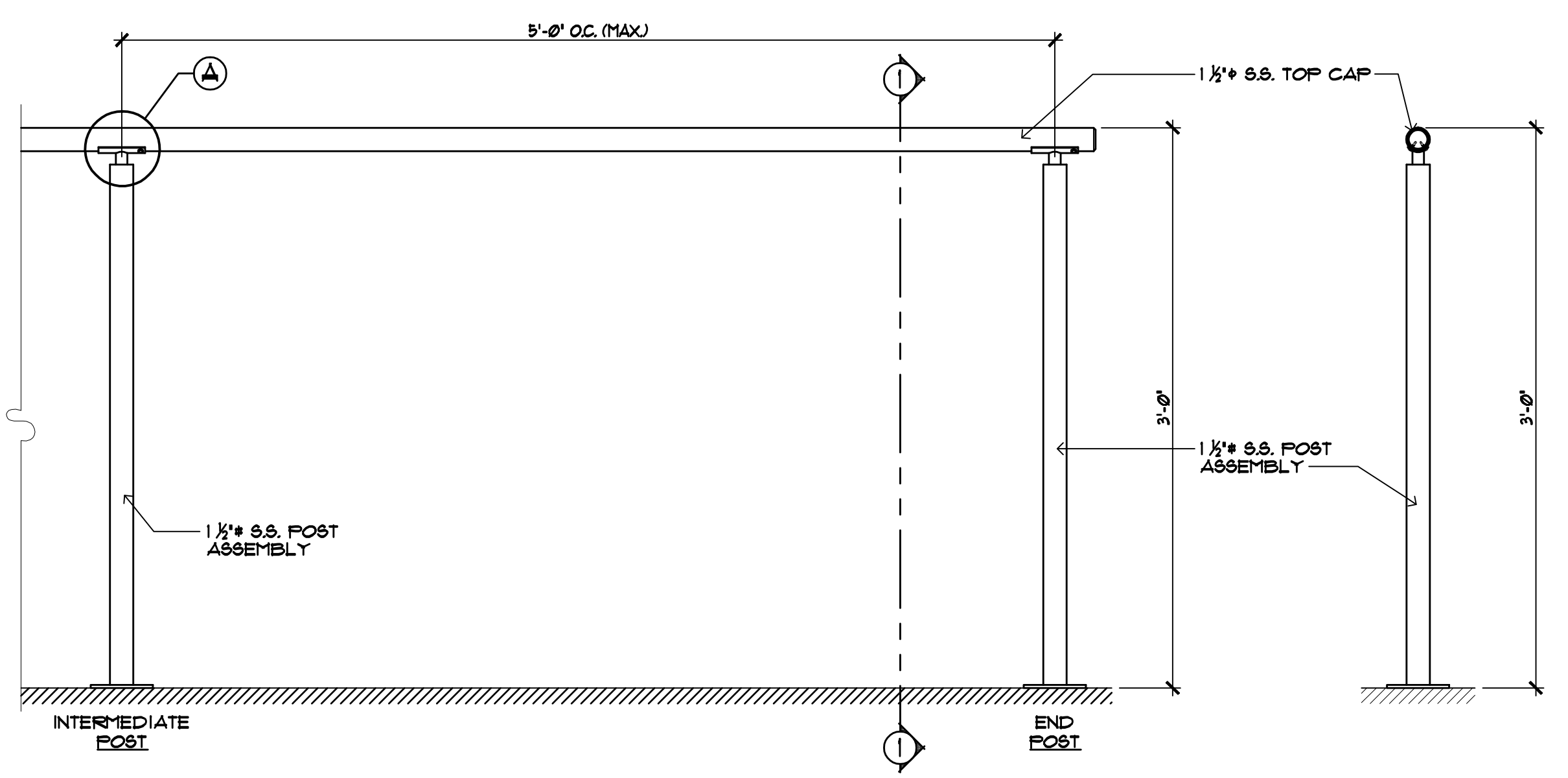
**ARTICULATED STEM DETAIL**

SCALE: 6"=1'-0"



**FIXED STEM DETAIL**

SCALE: 6"=1'-0"

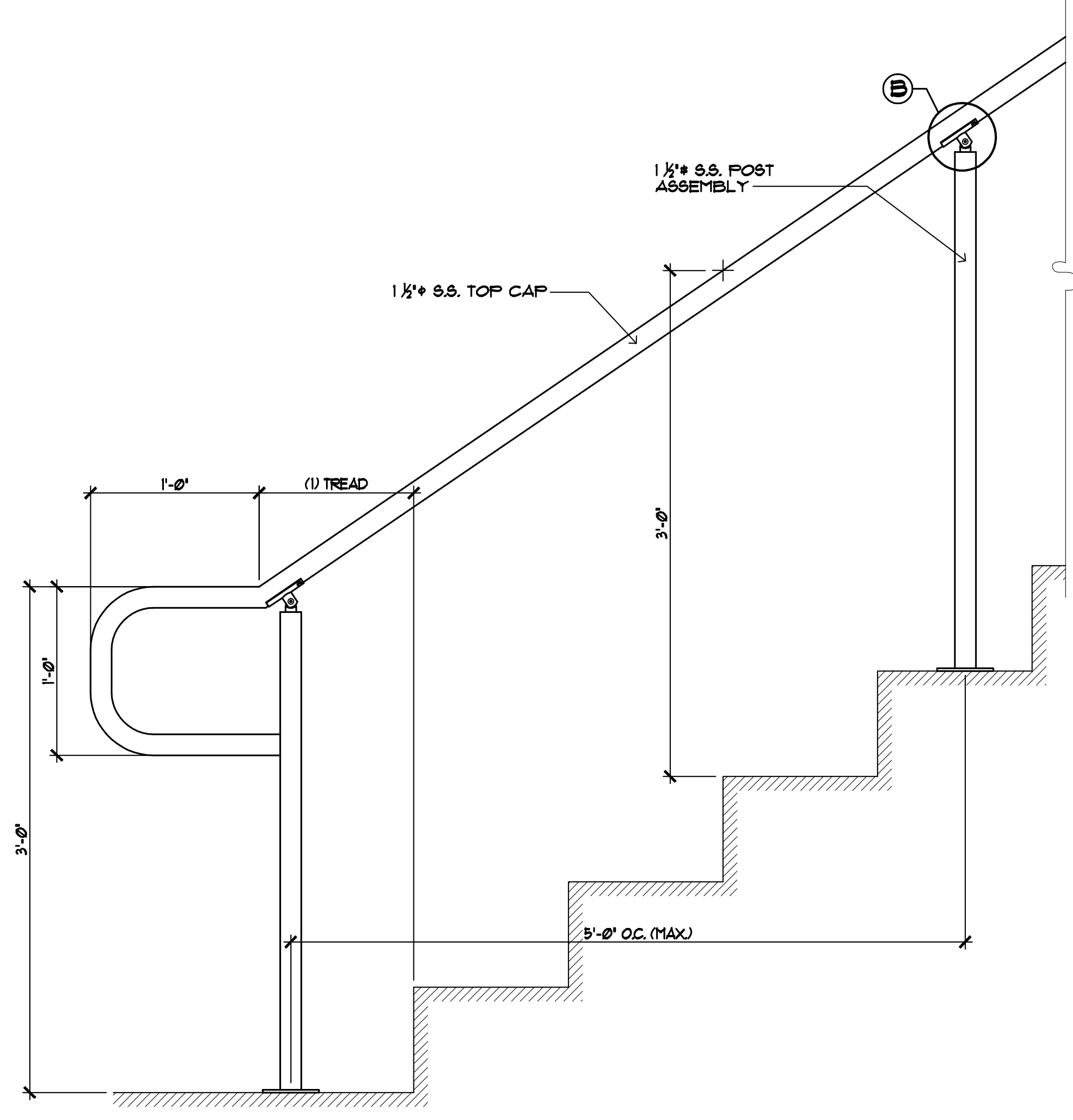


**LEVEL RAIL ELEVATION**

SCALE: 1/2"=1'-0"

**SECTION**

SCALE: 1/2"=1'-0"



**STAIR RAIL ELEVATION**

SCALE: 1/2"=1'-0"

**NOTES -**  
 \* ALL COMPONENTS TO BE STAINLESS STEEL, #304 ALLOY.  
 \* ALL EXTERIOR RAILING WITHIN FIVE MILES OF COASTAL WATERS TO BE #316 ALLOY.  
 \* ALL COMPONENTS TO HAVE #3 BRUSH FINISH UNLESS OTHERWISE REQUESTED.

Product: SP2-2000 FREESTANDING GRAB RAILING

Notes:  
 COPY & PASTE MODELSPACE ENTITIES INTO MODELSPACE OF ARCHITECTURAL SET WITH AN INSERTION POINT OF (0,0).  
 COPY & PASTE PAPERSPACE ENTITIES INTO PAPERSPACE OF ARCHITECTURAL SET AND REACTIVATE ALL VIEWPORTS.

USE COLOR DEPENDANT PLOT STYLES AS FOLLOWS:  
 COLOR #240 = .0035" | COLOR #242 = .0059" | COLOR #246 = .0157"  
 COLOR #241 = .0209" | COLOR #245 = .0098"

2111 34TH WAY  
 LARGO, FL 33771  
 PH: 727.536.1924  
 FAX: 727.539.6314  
 sales@secosouth.com