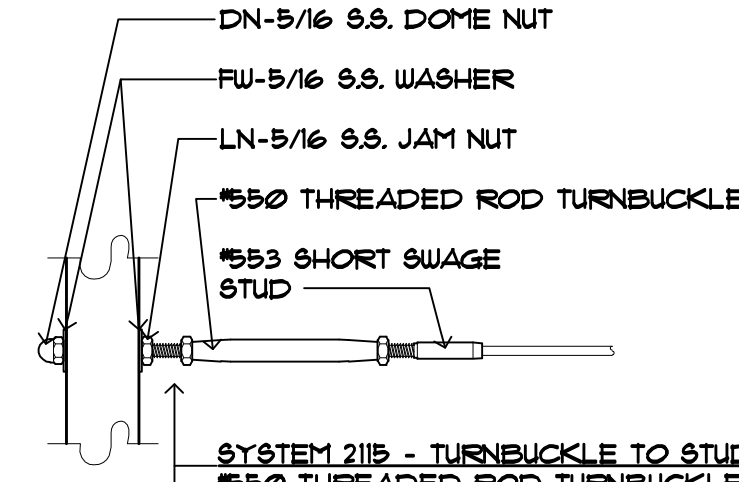
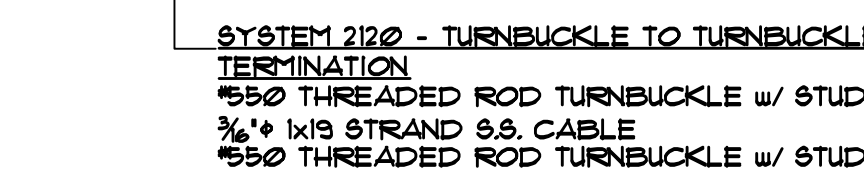


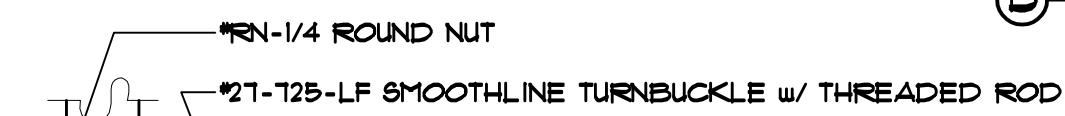
SYSTEM 2102 - STUD TO STUD TERMINATION
 #553 SHORT SWAGE STUD
 3/8" x 1/8" STRAND S.S. CABLE
 #553 SHORT SWAGE STUD



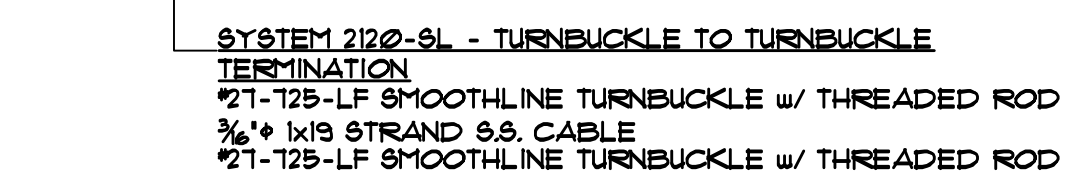
SYSTEM 2115 - TURNBUCKLE TO STUD TERMINATION
 #550 THREADED ROD TURNBUCKLE w/ STUD
 3/8" x 1/8" STRAND S.S. CABLE
 #553 SHORT SWAGE STUD



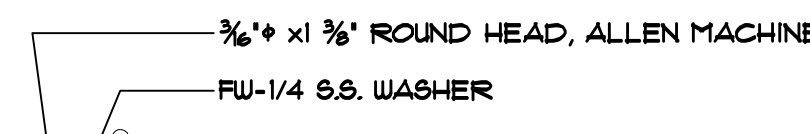
SYSTEM 2120 - TURNBUCKLE TO TURNBUCKLE TERMINATION
 #550 THREADED ROD TURNBUCKLE w/ STUD
 3/8" x 1/8" STRAND S.S. CABLE
 #553 THREADED ROD TURNBUCKLE w/ STUD



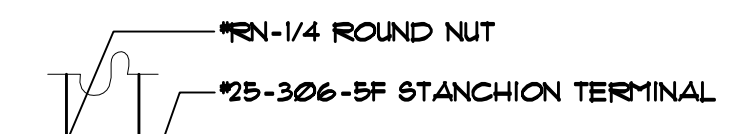
SYSTEM 2115-SL - TURNBUCKLE TO STUD TERMINATION
 #21-T25-LF SMOOTHLINE TURNBUCKLE w/ THREADED ROD
 3/8" x 1/8" STRAND S.S. CABLE
 #553 SHORT SWAGE STUD



SYSTEM 2120-SL - TURNBUCKLE TO TURNBUCKLE TERMINATION
 #21-T25-LF SMOOTHLINE TURNBUCKLE w/ THREADED ROD
 3/8" x 1/8" STRAND S.S. CABLE
 #21-T25-LF SMOOTHLINE TURNBUCKLE w/ THREADED ROD

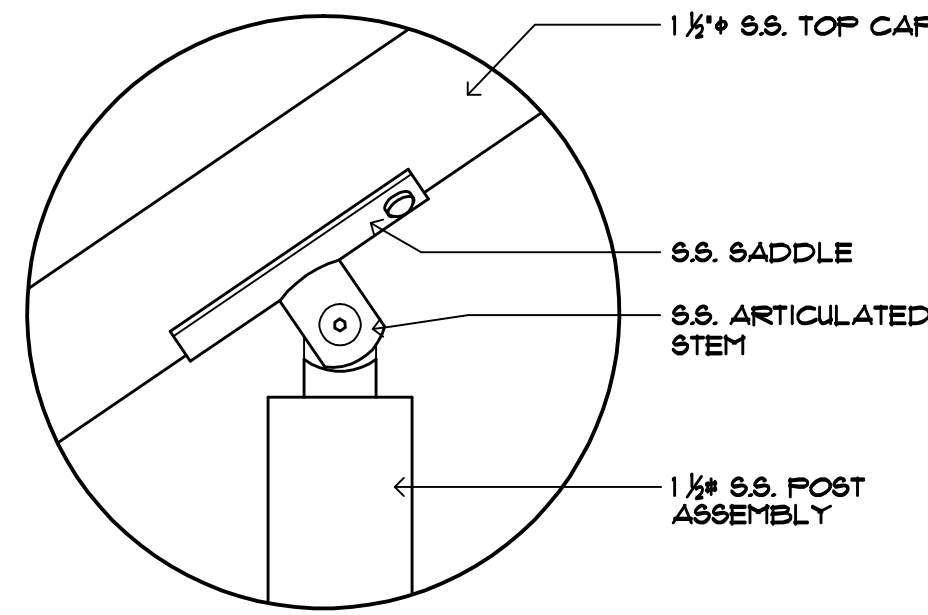


SYSTEM 2125 - ADJUSTER TO ADJUSTER TERMINATION
 #1BA-3/16 INTERNAL BARREL ADJUSTER
 3/8" x 1/8" STRAND S.S. CABLE
 #1BA-3/16 INTERNAL BARREL ADJUSTER

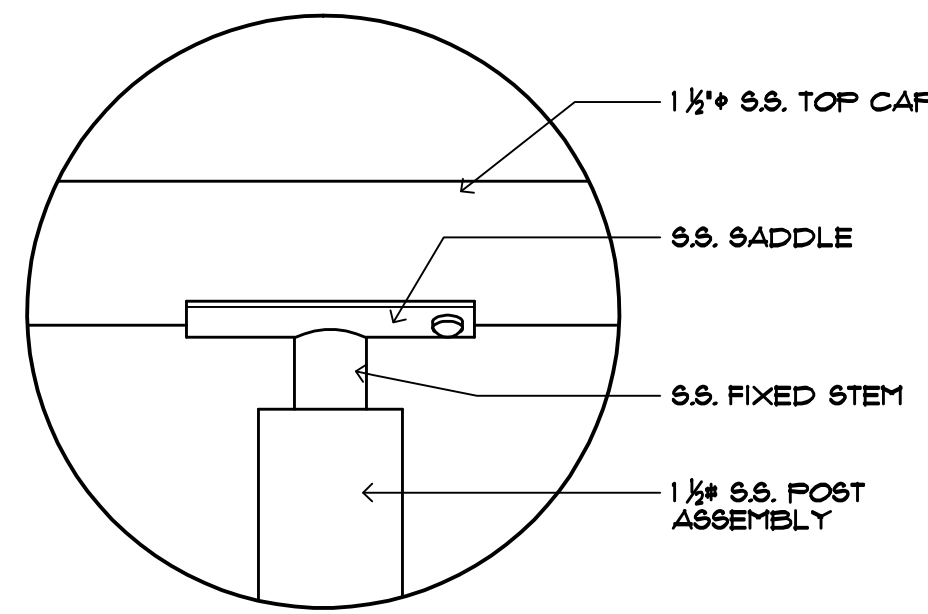


ALTERNATE STUD COMPONENT
 STANCHION TERMINAL CAN BE USED IN PLACE OF #553 SHORT SWAGE STUD WITHIN ANY SYSTEM

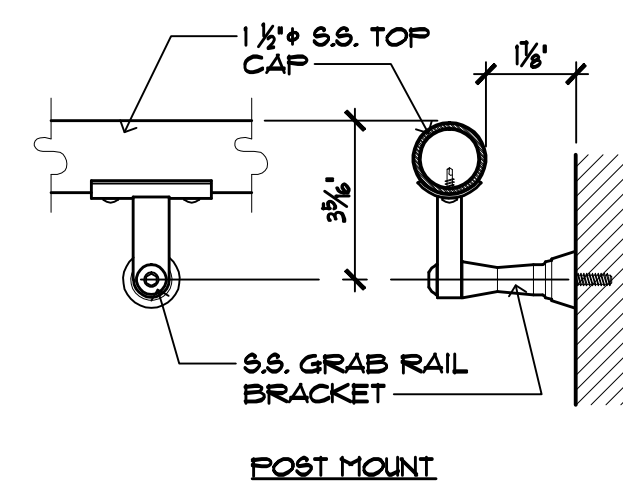
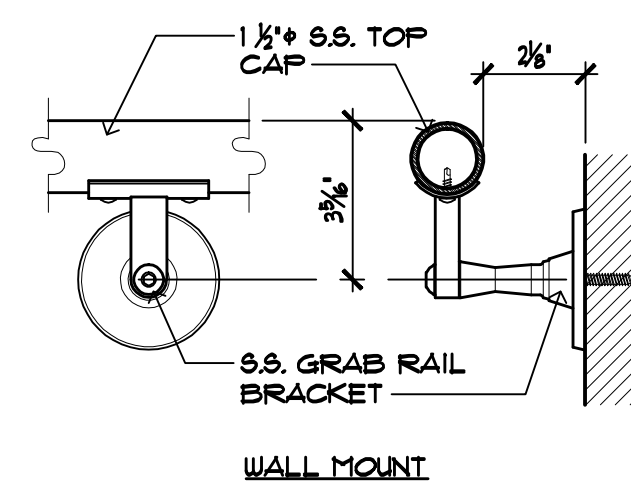
CABLE SYSTEM OPTIONS
 SCALE: 3/4"=1'-0"



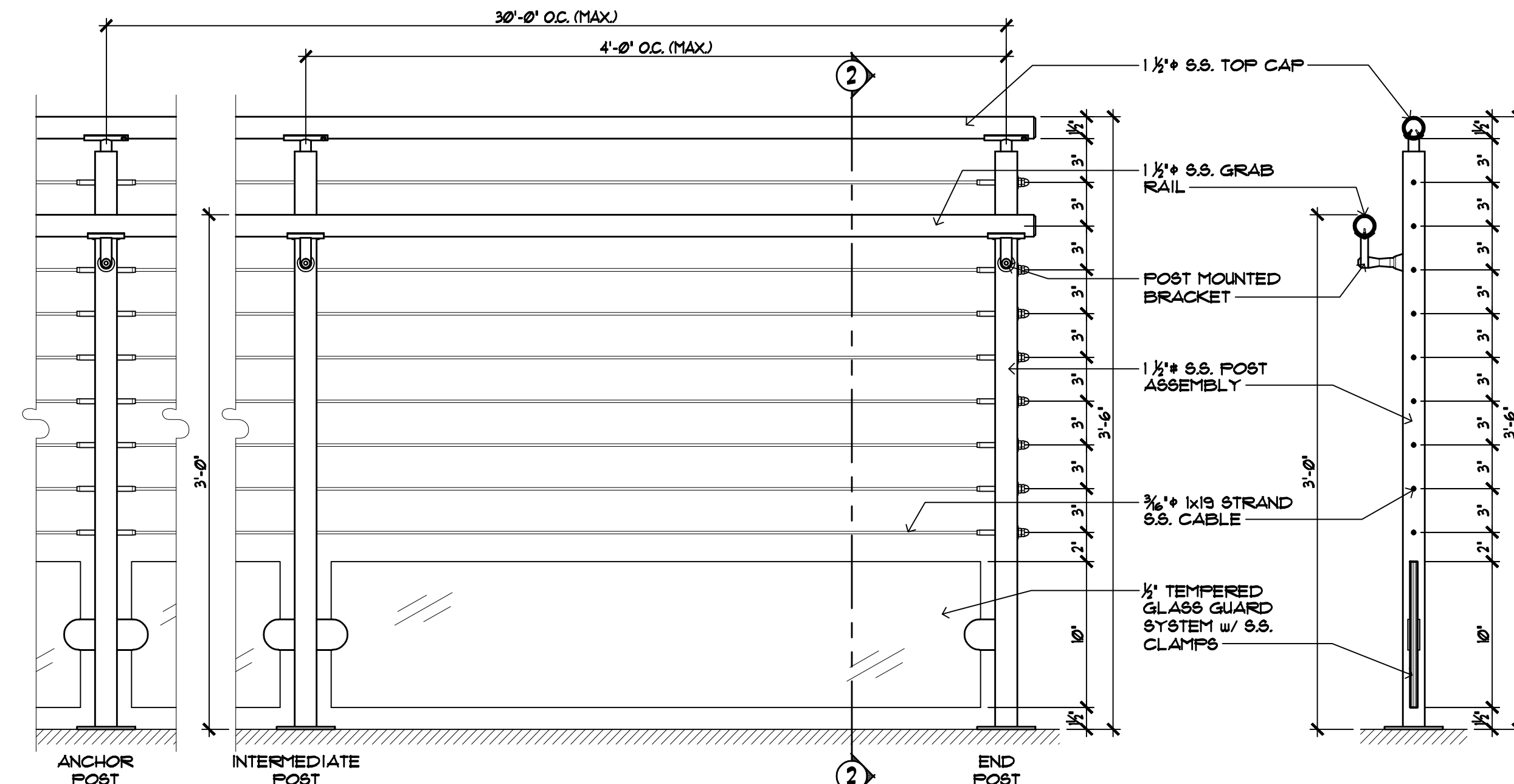
ARTICULATED STEM DETAIL
 SCALE: 6/8"=1'-0"



FIXED STEM DETAIL
 SCALE: 6/8"=1'-0"

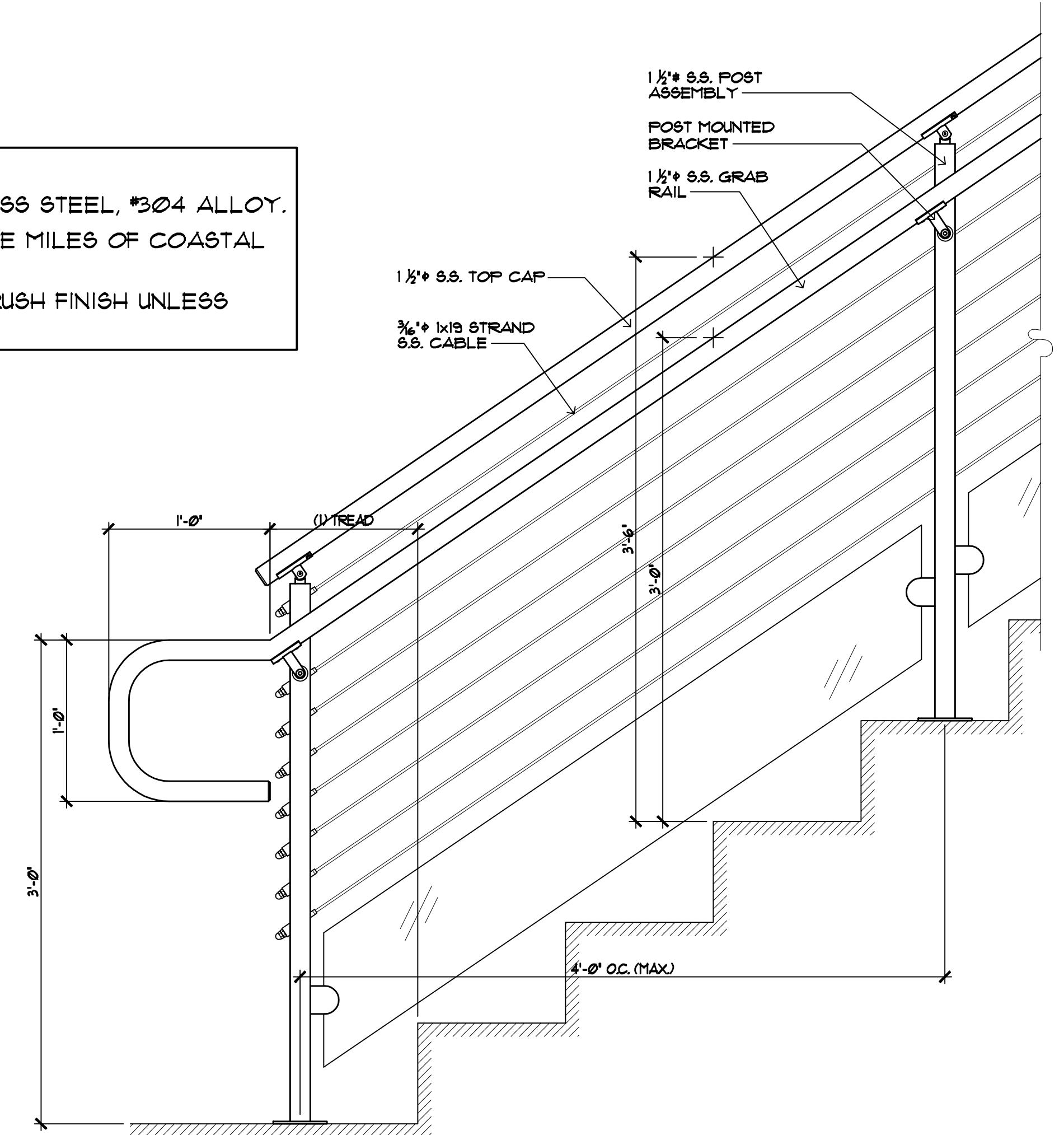


BRACKET DETAILS
 SCALE: 3/4"=1'-0"

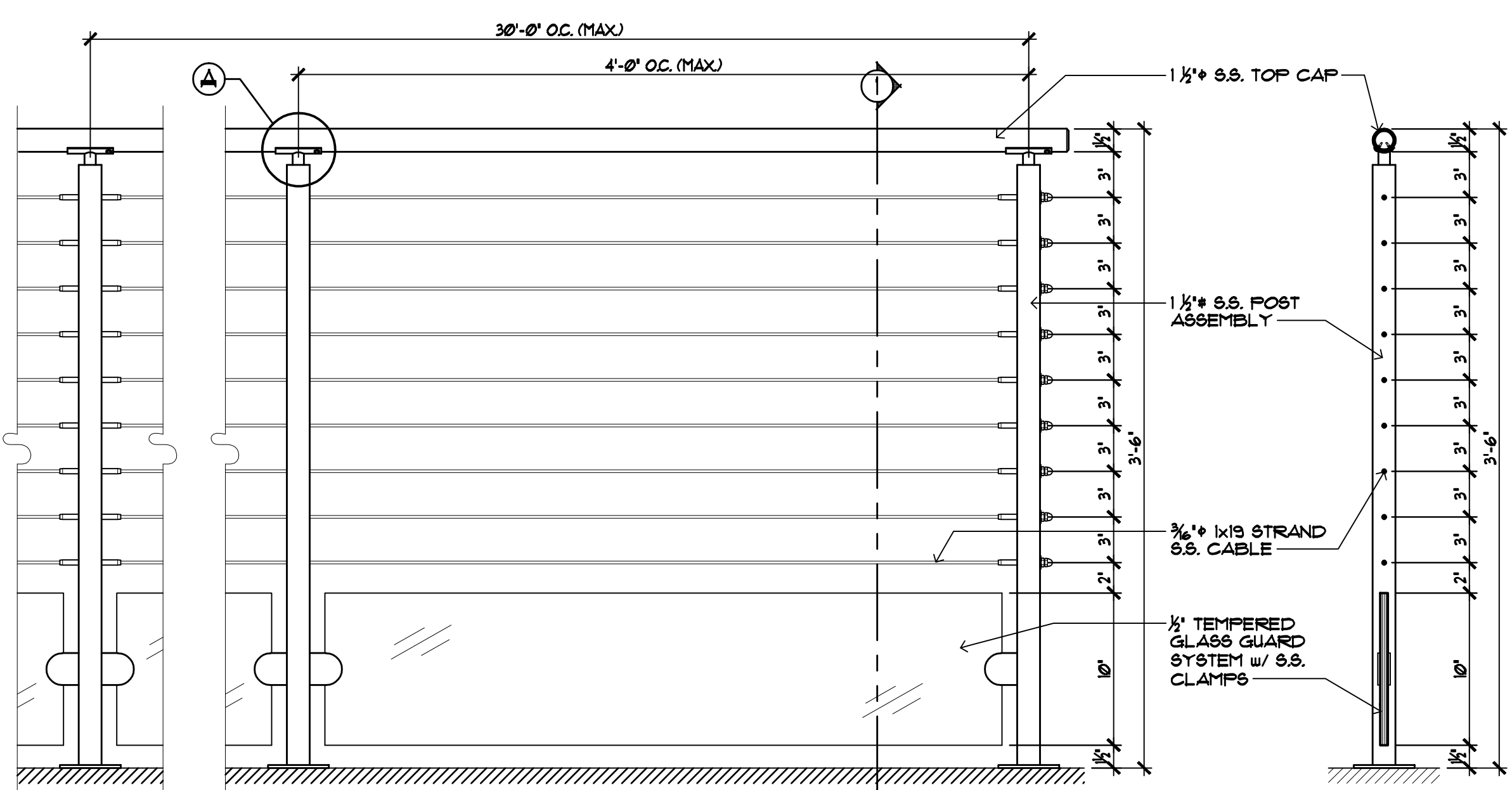


LEVEL GUARDRAIL w/ GRAB RAIL ELEVATION
 SCALE: 1/2"=1'-0"

SECTION
 SCALE: 1/2"=1'-0"

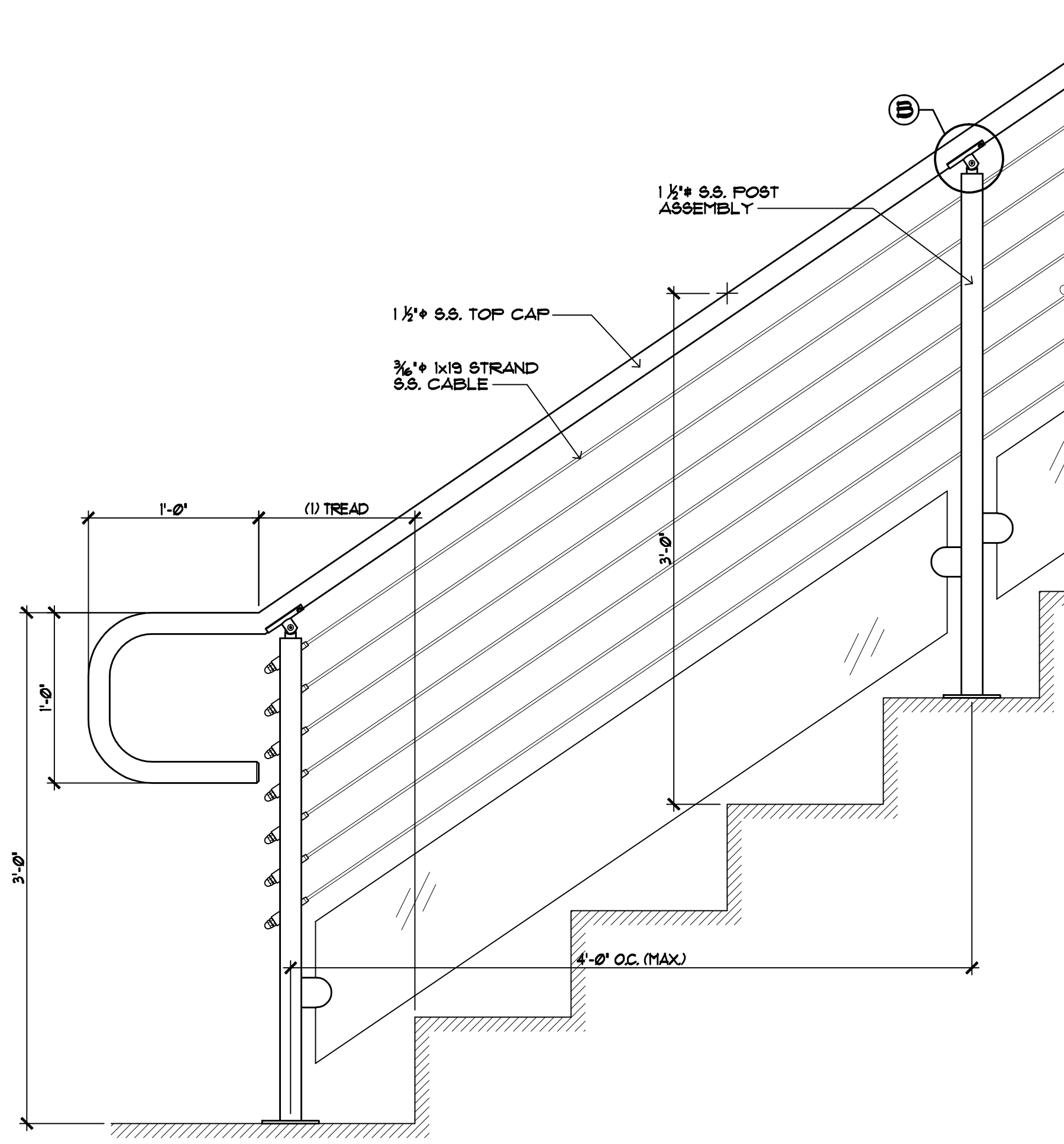


STAIR GUARDRAIL w/ GRAB RAIL ELEVATION
 SCALE: 1/2"=1'-0"

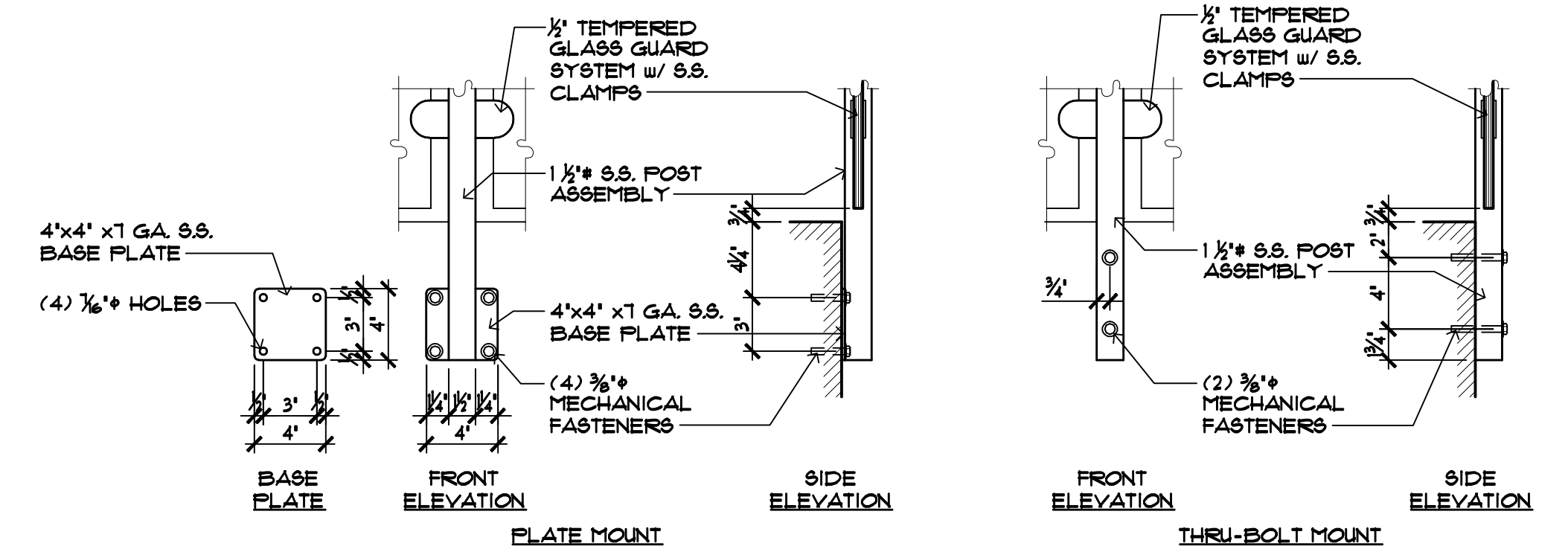


LEVEL GUARDRAIL ELEVATION
 SCALE: 1/2"=1'-0"

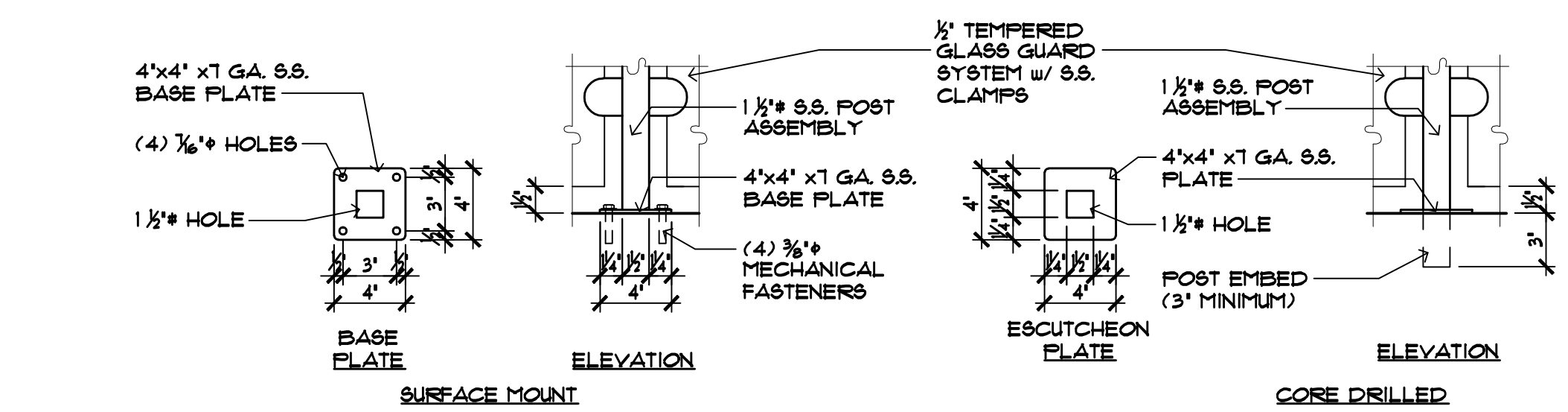
SECTION
 SCALE: 1/2"=1'-0"



STAIR GUARDRAIL ELEVATION
 SCALE: 1/2"=1'-0"



FASCIA MOUNTING DETAILS
 SCALE: 1/2"=1'-0"



FLOOR MOUNTING DETAILS
 SCALE: 1/2"=1'-0"

NOTES -
 * ALL COMPONENTS TO BE STAINLESS STEEL, #304 ALLOY.
 * ALL EXTERIOR RAILING WITHIN FIVE MILES OF COASTAL WATERS TO BE #316 ALLOY.
 * ALL COMPONENTS TO HAVE #3 BRUSH FINISH UNLESS OTHERWISE REQUESTED.

Product:
SPG1-2000 COMPONENT RAILING SYSTEM

Notes:
 COPY & PASTE MODELSPACE ENTITIES INTO MODELSPACE OF ARCHITECTURAL SET WITH AN INSERTION POINT OF (0,0).
 COPY & PASTE PAPERSPACE ENTITIES INTO PAPERSPACE OF ARCHITECTURAL SET AND REACTIVATE ALL VIEWPORTS.
 USE COLOR DEPENDANT PLOT STYLES AS FOLLOWS:
 COLOR #240 = .0035" | COLOR #242 = .0059" | COLOR #246 = .0157"
 COLOR #241 = .0209" | COLOR #245 = .0098"