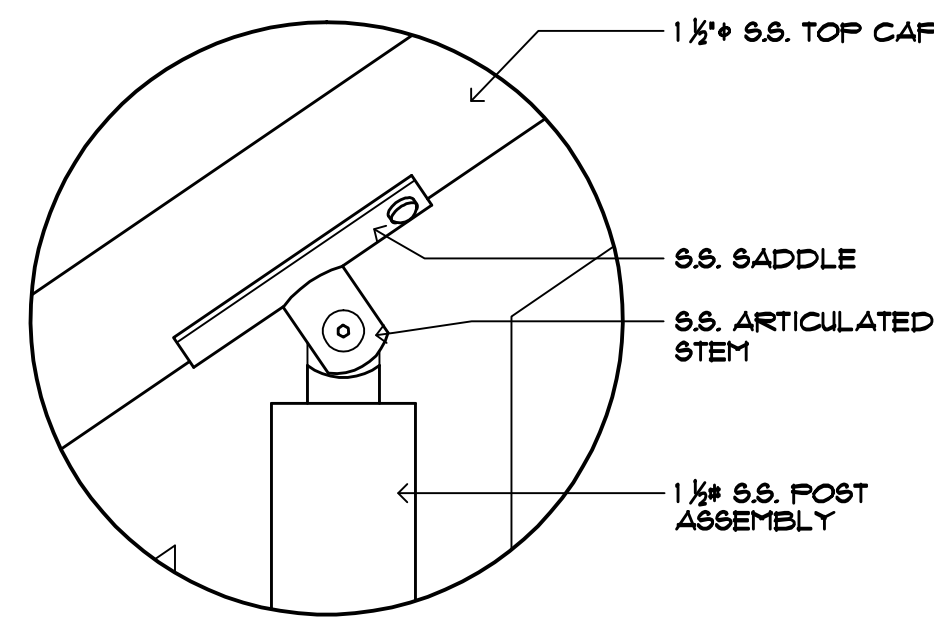
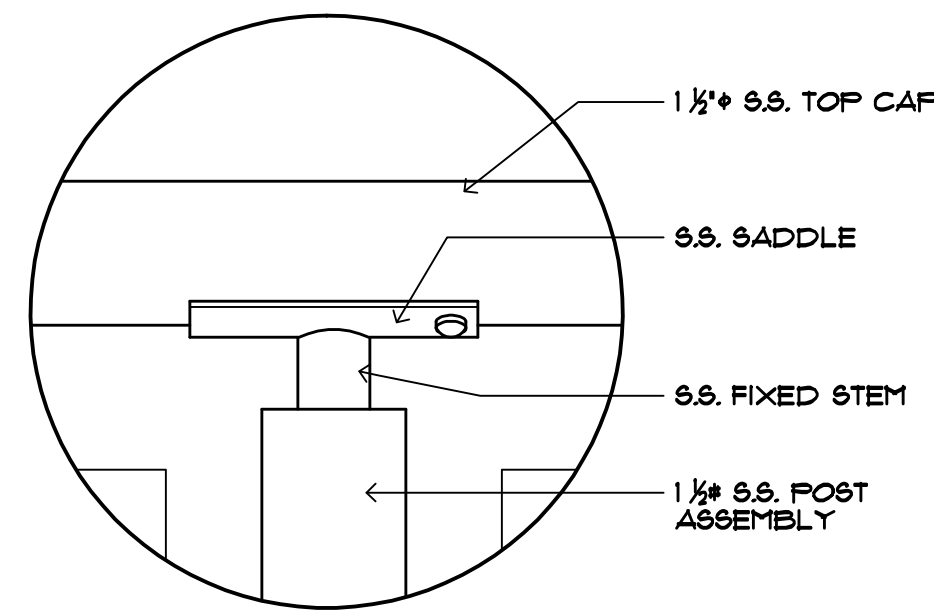


BRACKET DETAILS
SCALE: 3/4" = 1'-0"

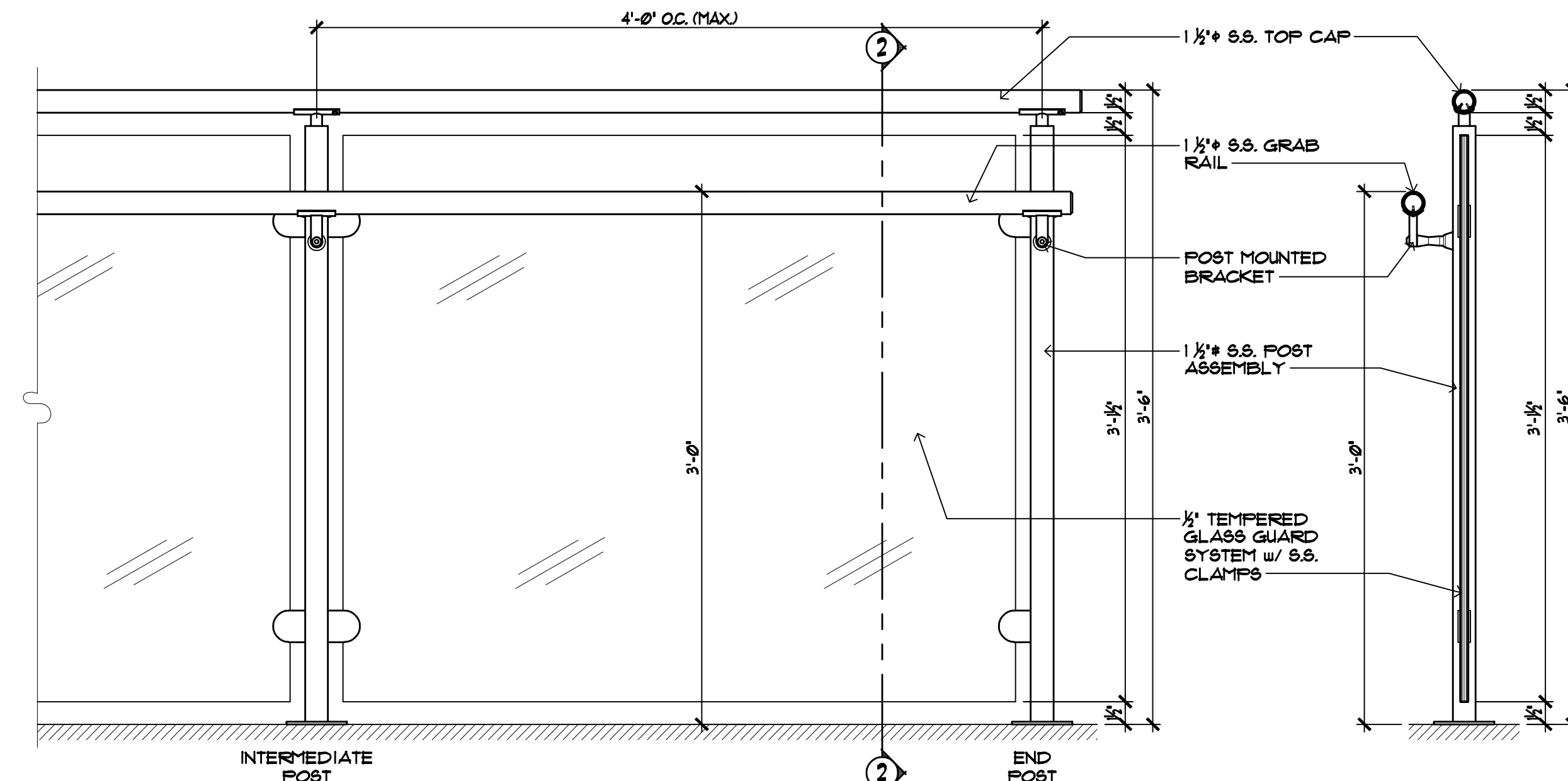
NOTES -
 * ALL COMPONENTS TO BE STAINLESS STEEL, #304 ALLOY.
 * ALL EXTERIOR RAILING WITHIN FIVE MILES OF COASTAL WATERS TO BE #316 ALLOY.
 * ALL COMPONENTS TO HAVE #3 BRUSH FINISH UNLESS OTHERWISE REQUESTED.



ARTICULATED STEM DETAIL
SCALE: 6/8" = 1'-0"

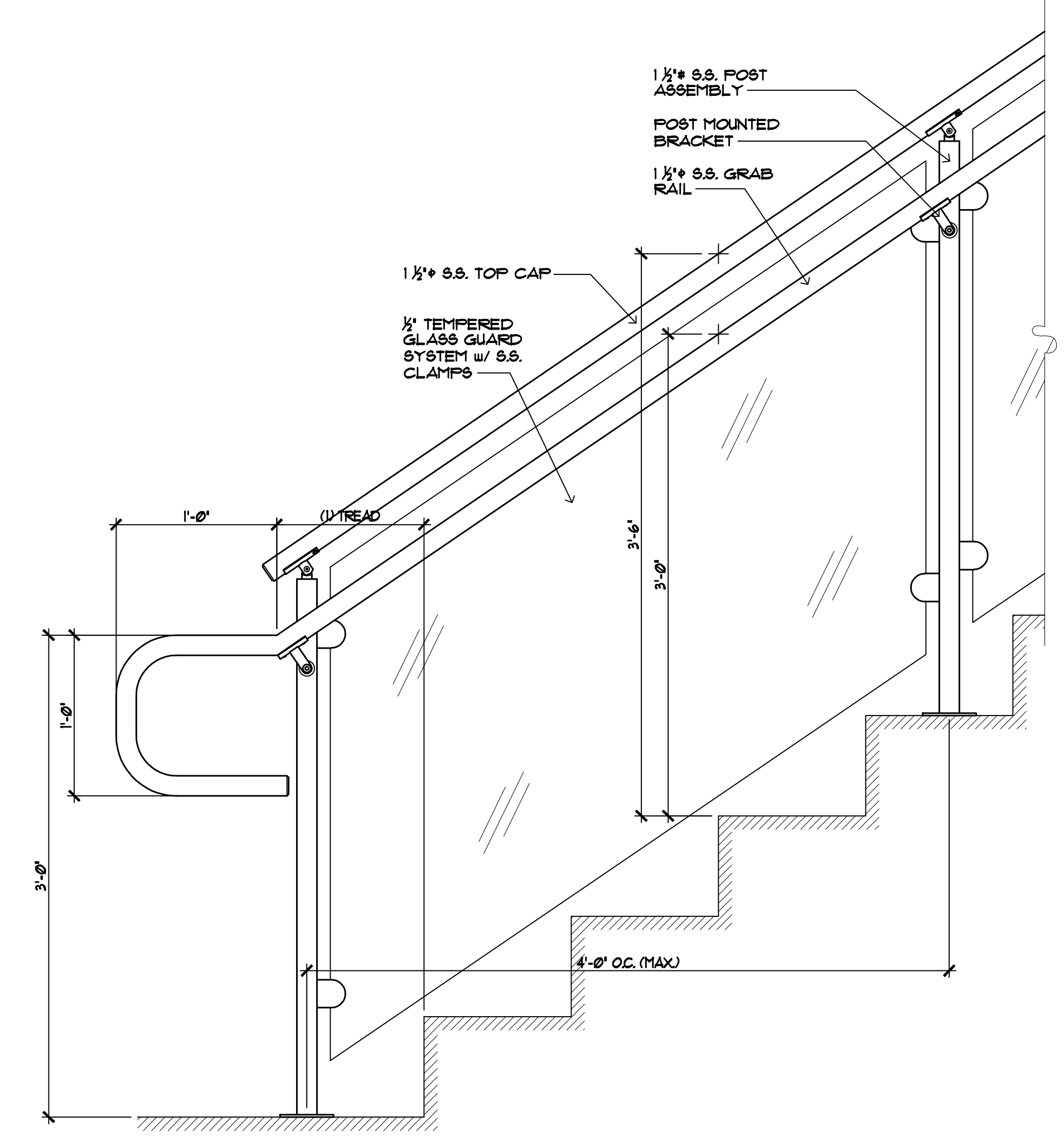


FIXED STEM DETAIL
SCALE: 6/8" = 1'-0"

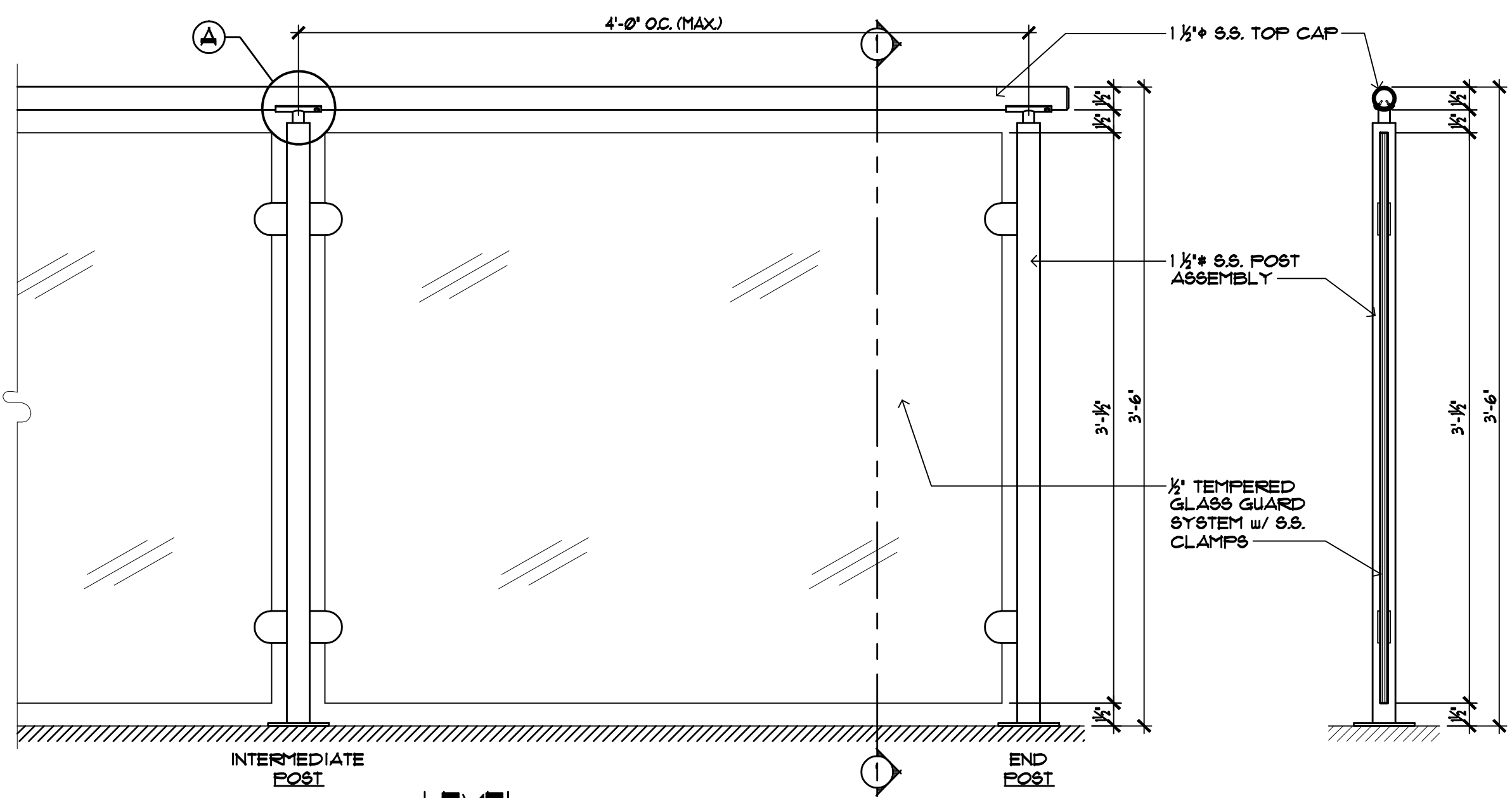


LEVEL GUARDRAIL w/ GRAB RAIL ELEVATION
SCALE: 1/2" = 1'-0"

SECTION 2
SCALE: 1/2" = 1'-0"

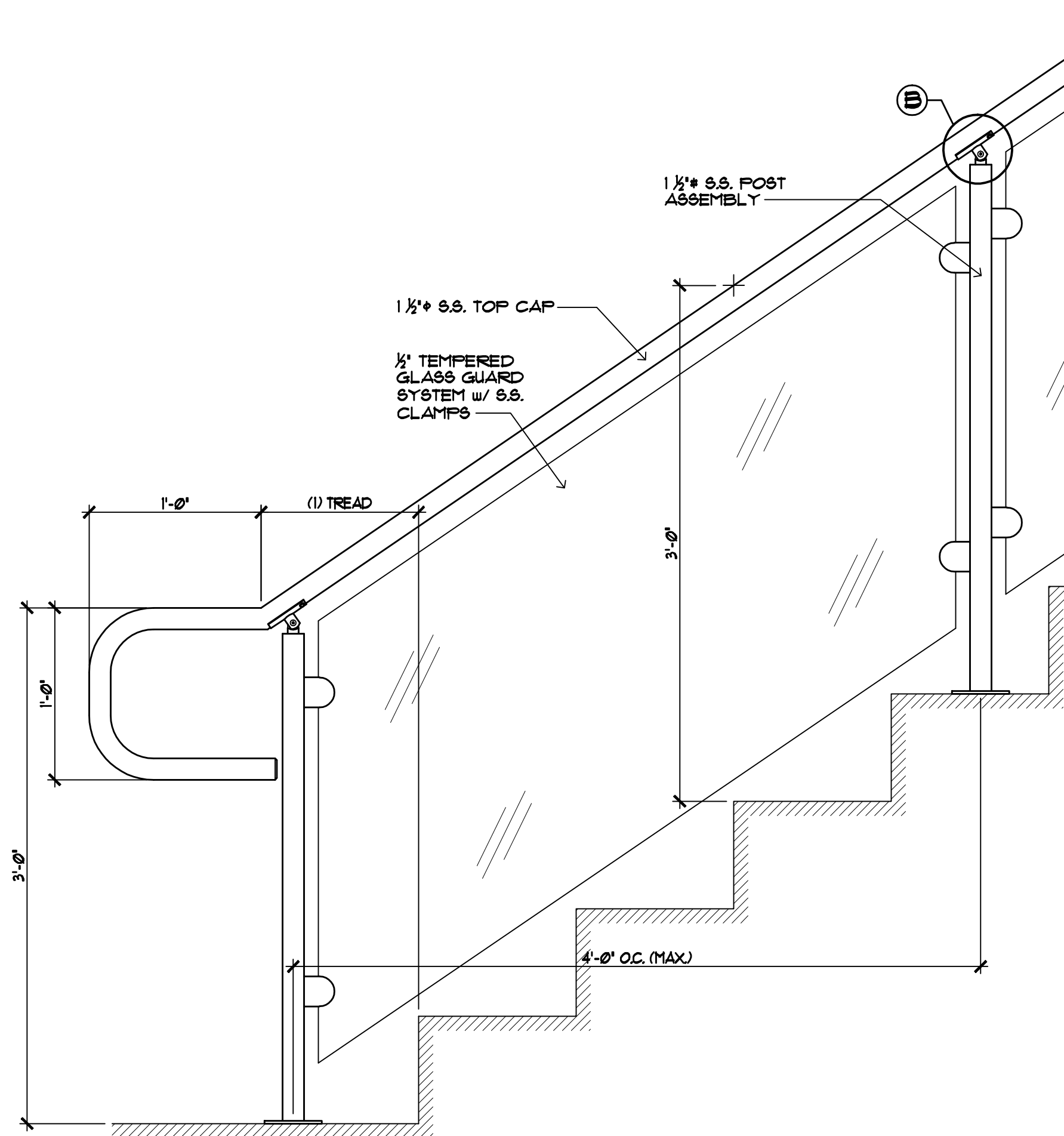


STAIR GUARDRAIL w/ GRAB RAIL ELEVATION
SCALE: 1/2" = 1'-0"

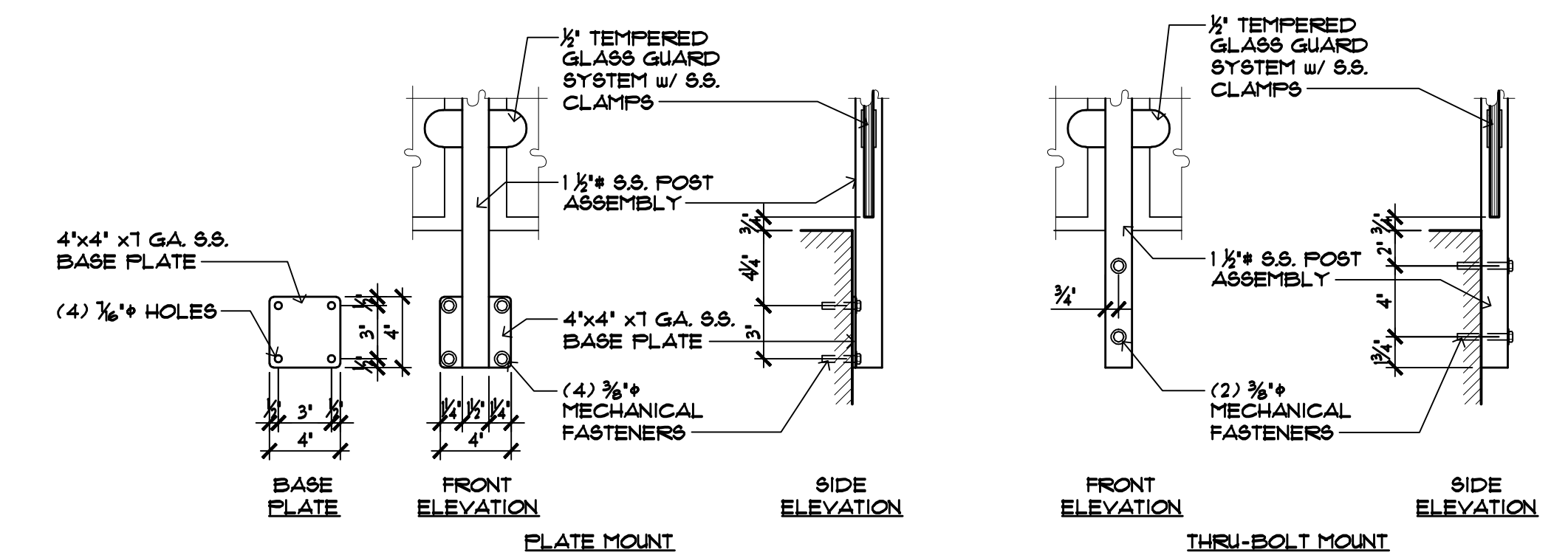


LEVEL GUARDRAIL ELEVATION
SCALE: 1/2" = 1'-0"

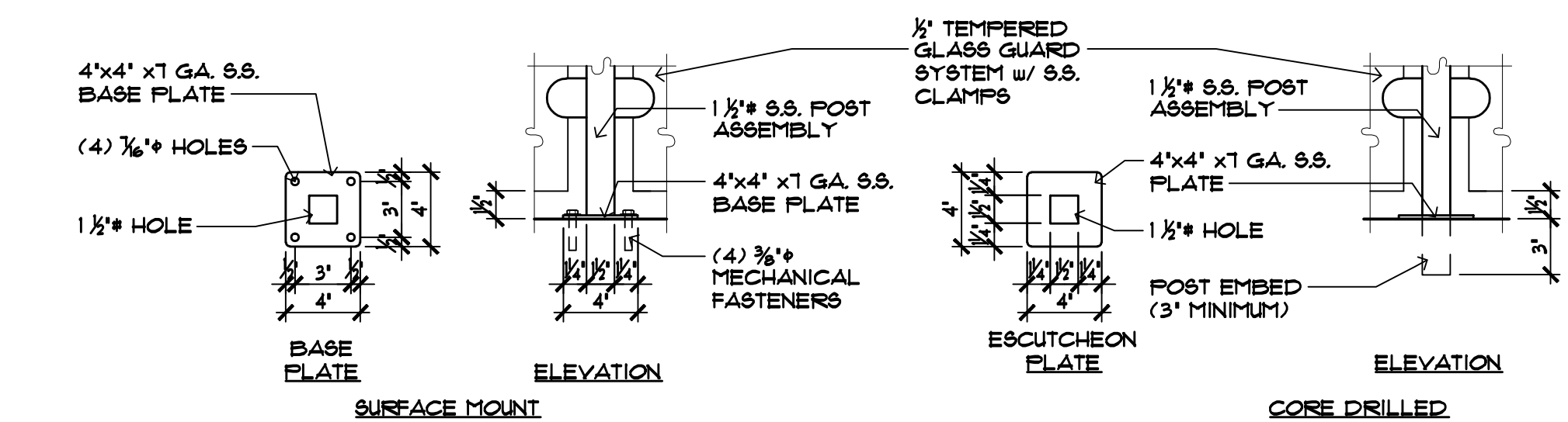
SECTION 1
SCALE: 1/2" = 1'-0"



STAIR GUARDRAIL ELEVATION
SCALE: 1/2" = 1'-0"



FASCIA MOUNTING DETAILS
SCALE: 1/2" = 1'-0"



FLOOR MOUNTING DETAILS
SCALE: 1/2" = 1'-0"

Product:
SPG2-2000 COMPONENT RAILING SYSTEM

Notes:
 COPY & PASTE MODELSPACE ENTITIES INTO MODELSPACE OF ARCHITECTURAL SET WITH AN INSERTION POINT OF (0,0).
 COPY & PASTE PAPERSPACE ENTITIES INTO PAPERSPACE OF ARCHITECTURAL SET AND REACTIVATE ALL VIEWPORTS.

USE COLOR DEPENDANT PLOT STYLES AS FOLLOWS:
 COLOR #240 = .0035" | COLOR #242 = .0059" | COLOR #246 = .0157"
 COLOR #241 = .0209" | COLOR #245 = .0098"

