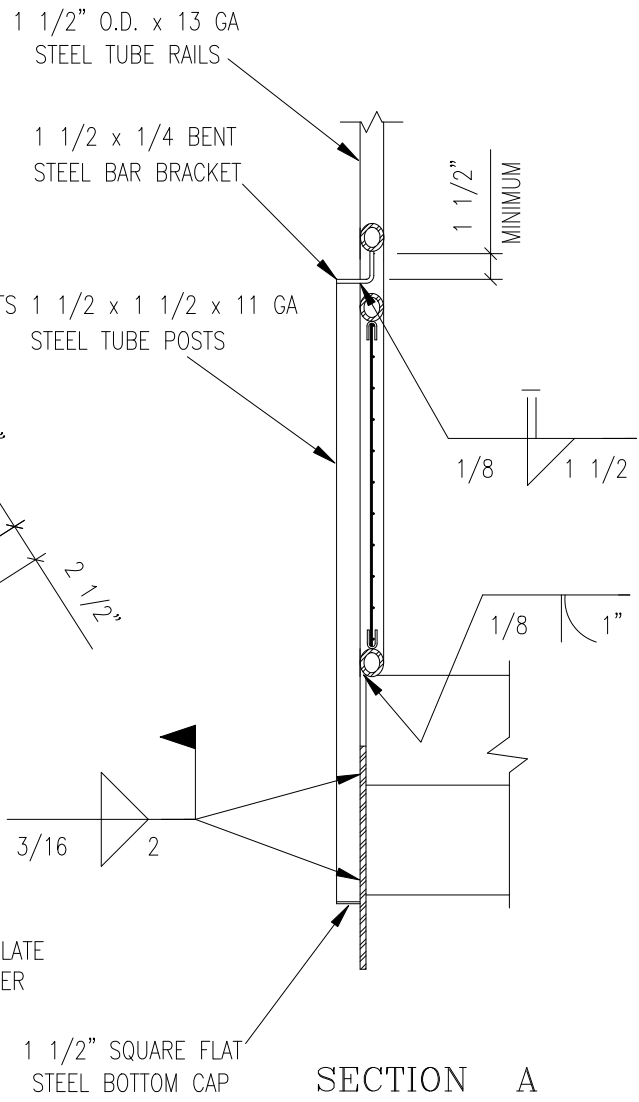
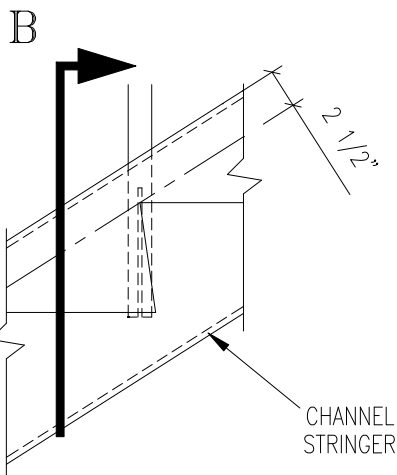


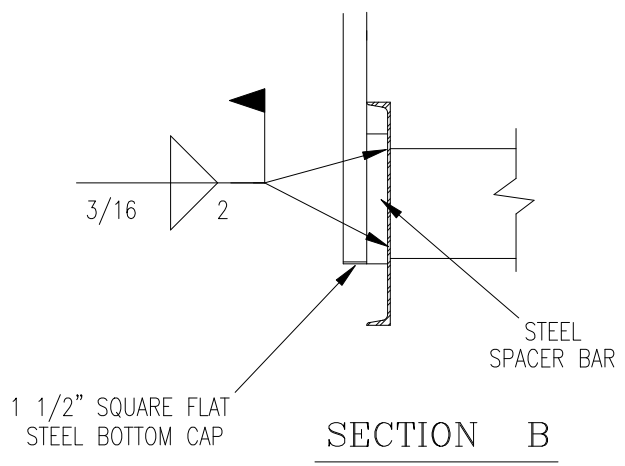
ELEVATION



SECTION A



ELEVATION



SECTION B

FOR FURTHER DETAIL PLEASE VISIT [WWW.SHARONSTAIR.COM](http://WWW.SHARONSTAIR.COM)



MESH RAIL INTERMEDIATE POSTS

TYPICAL CONSTRUCTION AND CONNECTION

5TH EDITION

SCALE: 1"=1'-0"

9-25