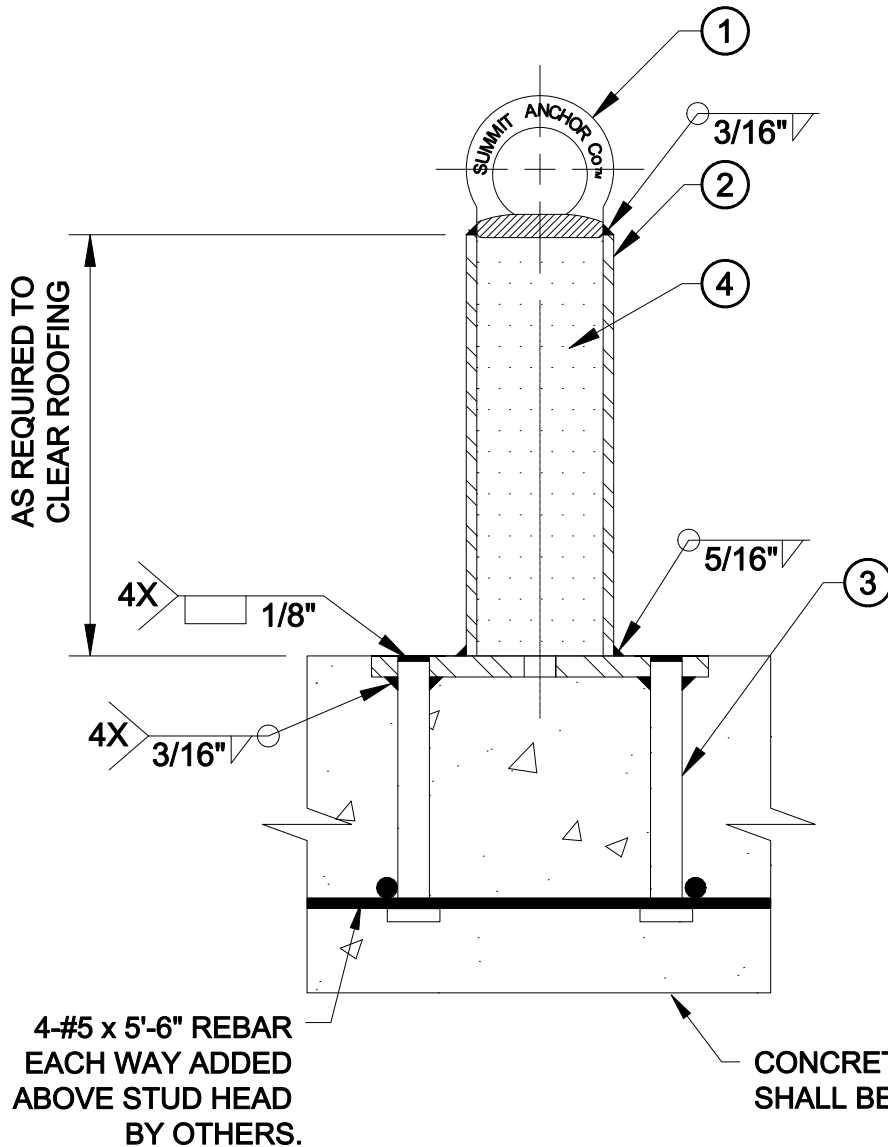


Cast in Place Roof Anchor

Summit Model #SM-5



SM-5

- ① FORGED PAD EYE, QUENCHED AND TEMPERED, (ALSO AVAILABLE IN 304 STAINLESS STEEL, ANNEALED) WELDED TO HSS. ENTIRE ANCHOR HOT-DIPPED GALVANIZED AFTER FABRICATION.
- ② HSS WELDED TO BASE PLATE AND SET FLUSH WITH CONCRETE SLAB. BASE PLATE SIZE AND ANCHOR HEIGHT TO SUIT APPLICATION.
- ③ (4) 6-3/16" X 3/4"Ø STUDS WELDED TO BASE PLATE.

SM-FOM (RECOMMENDED OPTION)

- ④ POLYURETHANE FOAM RESISTS TEMPERATURE LOSS AND CONDENSATION.