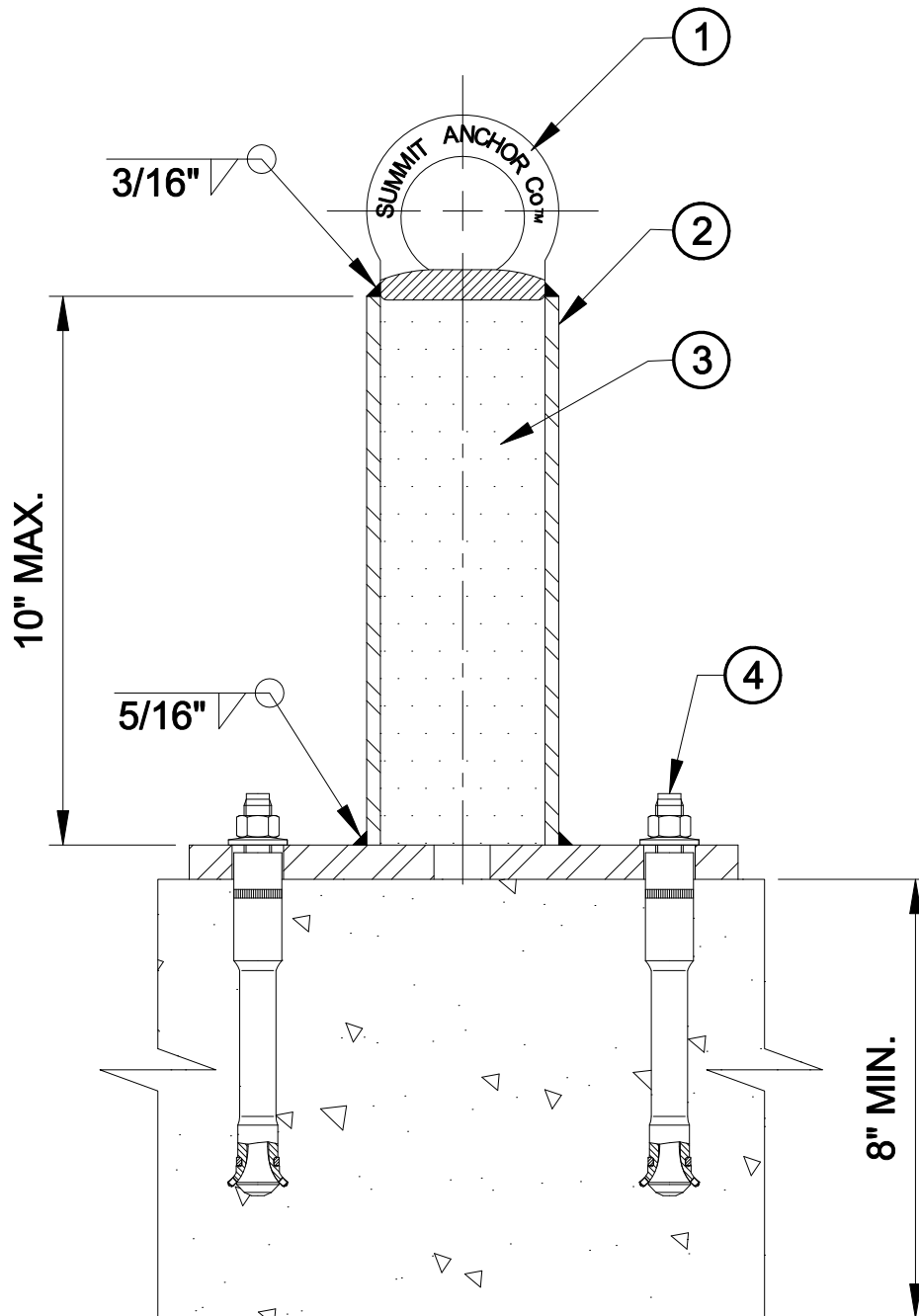


Roof Anchor Mounted with Undercut Anchor Fasteners

Summit Models: SM-1-10, SM-TRA-UND-5



SM-1

- ① FORGED PAD EYE, QUENCHED AND TEMPERED, (ALSO AVAILABLE IN 304 STAINLESS STEEL, ANNEALED) WELDED TO HSS. ENTIRE ANCHOR HOT-DIPPED GALVANIZED AFTER FABRICATION.
- ② HSS WELDED TO 10" X 10" X 5/8" BASE PLATE. MAXIMUM ANCHOR HEIGHT OF 10".

SM-FOM (RECOMMENDED OPTION)

- ③ POLYURETHANE FOAM RESISTS TEMPERATURE LOSS AND CONDENSATION.
- ④ **SM-TRA-UND-5**
④ GALVANIZED FLAT WASHERS, STAINLESS STEEL LOCK WASHERS, AND 5/8"Ø HILTI HDA-T UNDERCUT ANCHOR SYSTEMS. (THREADS DEFORMED AFTER INSTALLATION).