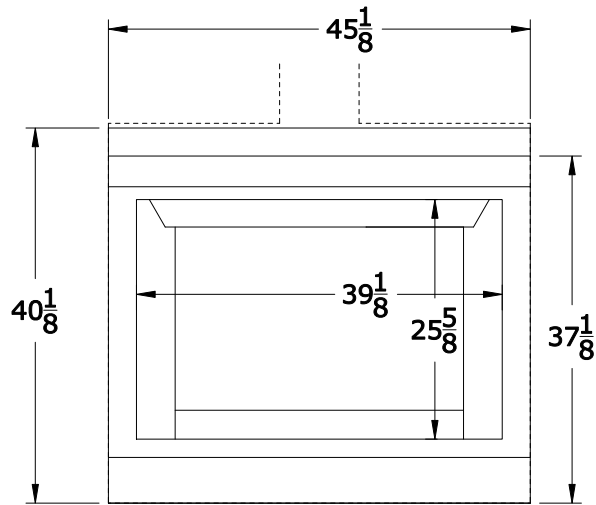
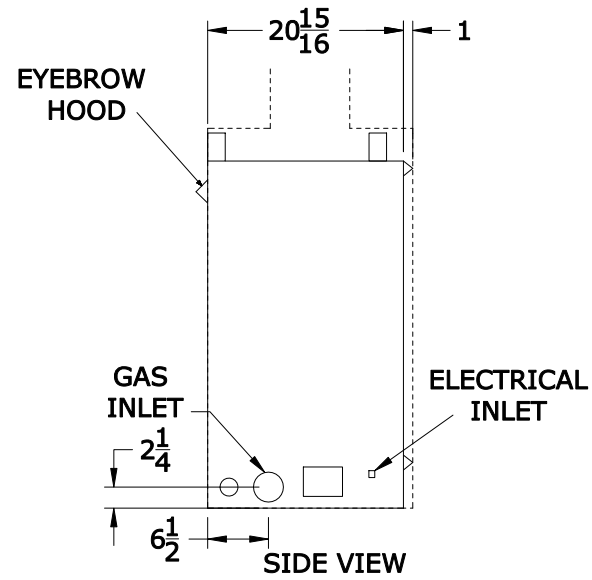


TOP VIEW



FRONT VIEW



SIDE VIEW

LENNOX HEARTH PRODUCT ELD V-45