



PROJECT:

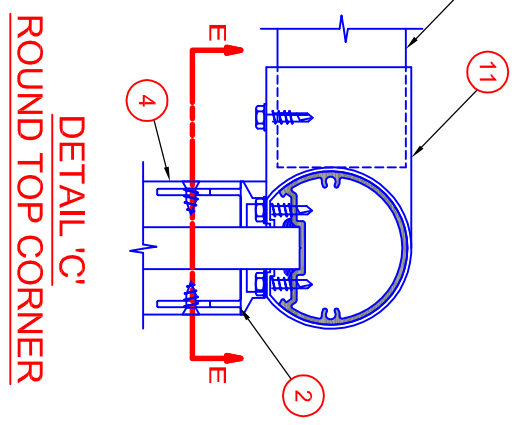
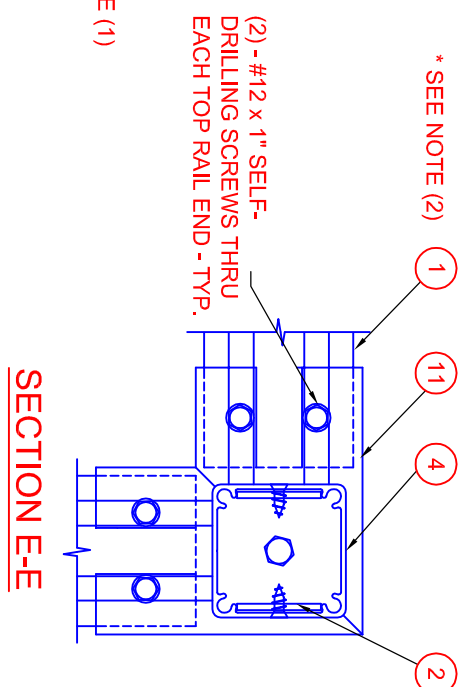
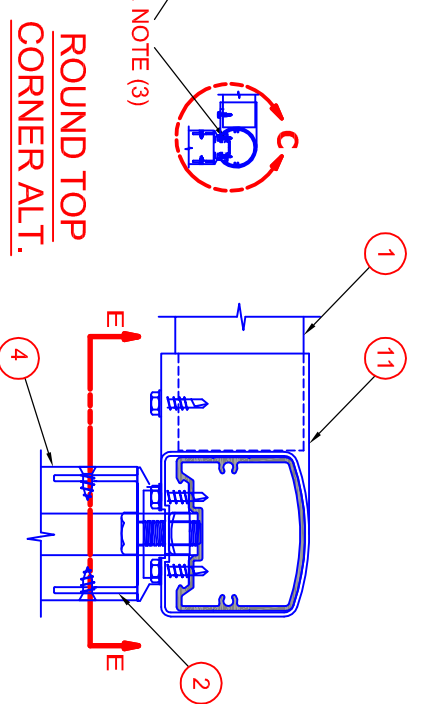
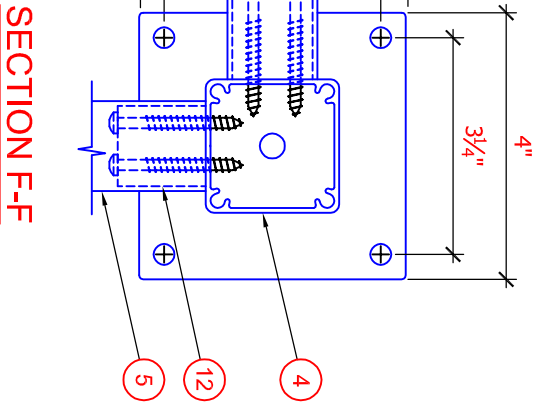
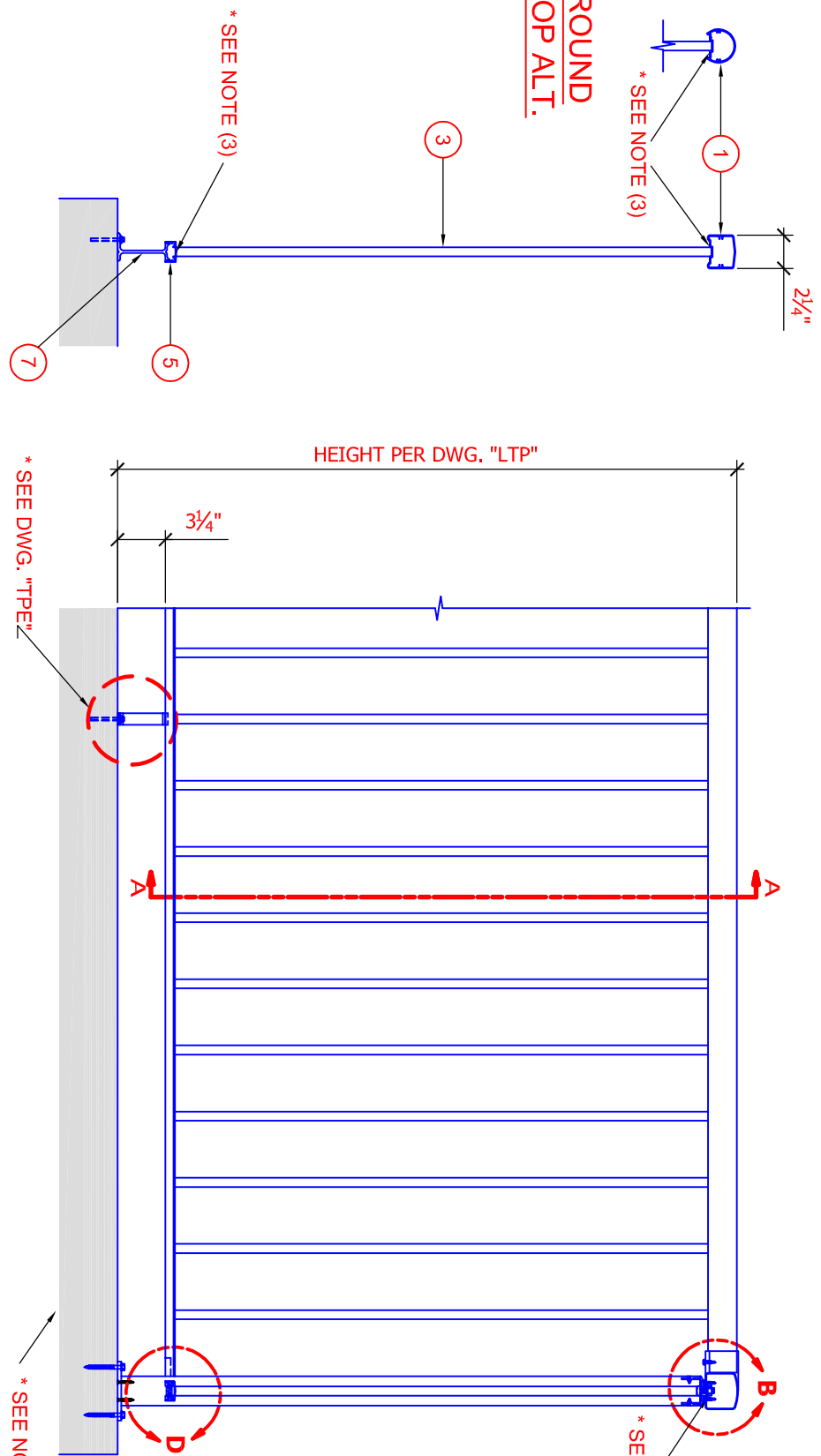
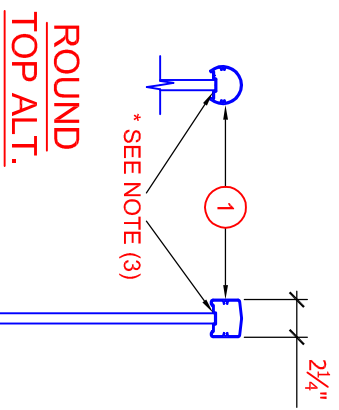
CLIENT:

SITE LOCATION:

DRAWN	PROJECT
DESIGNED	CHECKED
SCALE	NTS
CREATED	JAN 07

No	DATE	ISSUE - REVISION
----	------	------------------

TOP MOUNT PICKET
2" CORNER POST
DWG No. **TPC2.0**



ITEM	DESCRIPTION
1	2 1/4" SQUARE □ OR ROUND TOP □ RAIL (CHECK CORRECT BOX)
2	RAIL/POST CONNECTOR C/W 3/8"Ø NUT AND BOLT TO RAIL & (2) - #8 X 1/2" SCREWS TO POST
3	5/8" X 5/8" ALUMINUM PICKET
4	2" STANDARD ALUMINUM POST
5	1 3/8" X 3/4" BOTTOM CHANNEL
6	4" X 4" X 1/4" BASE C/W (4) - 5/16" Ø X 3 3/4" LAG SCREW INTO WOOD OR (4) - 3/8"Ø X 3" KWIK BOLTS II ANCHORS INTO CONCRETE AND TO POST W/ (4) #12 X 2" FLAT HEAD SCREWS
7	PICKET LEG C/W 1/4" Ø X 2 1/2" SCREW INTO WOOD OR #14 X 2" "TAPCON" ANCHOR INTO CONCRETE
8	(NOT SHOWN)
9	(NOT SHOWN)
10	(NOT SHOWN)
11	TOP RAIL EXTERNAL CORNER SLEEVE
12	CHANNEL BLOCK C/W (2) - #10 X 2" SCREWS TO POST

NOTES:
 (1) BUILDING GENERAL CONTRACTOR IS RESPONSIBLE FOR PROVIDING ADEQUATE BACKING IN WALLS AND FLOORS TO AFFIX TO THE BUILDING THE ALUMINUM GUARDRAIL LAYOUT DEFINED IN THESE DRAWINGS
 (2) ITEM #1 FITS INSIDE ITEM #11 ; ITEM #2 FITS INSIDE ITEM #4 ; ITEM #12 SNAPS INSIDE ITEM #5
 (3) WELD PICKET TO UNDERSIDE OF TOP OF PART #1 OR #5